



# TRINITY GLASS INTERNATIONAL

33615 1st Way S, Federal Way, WA 98003

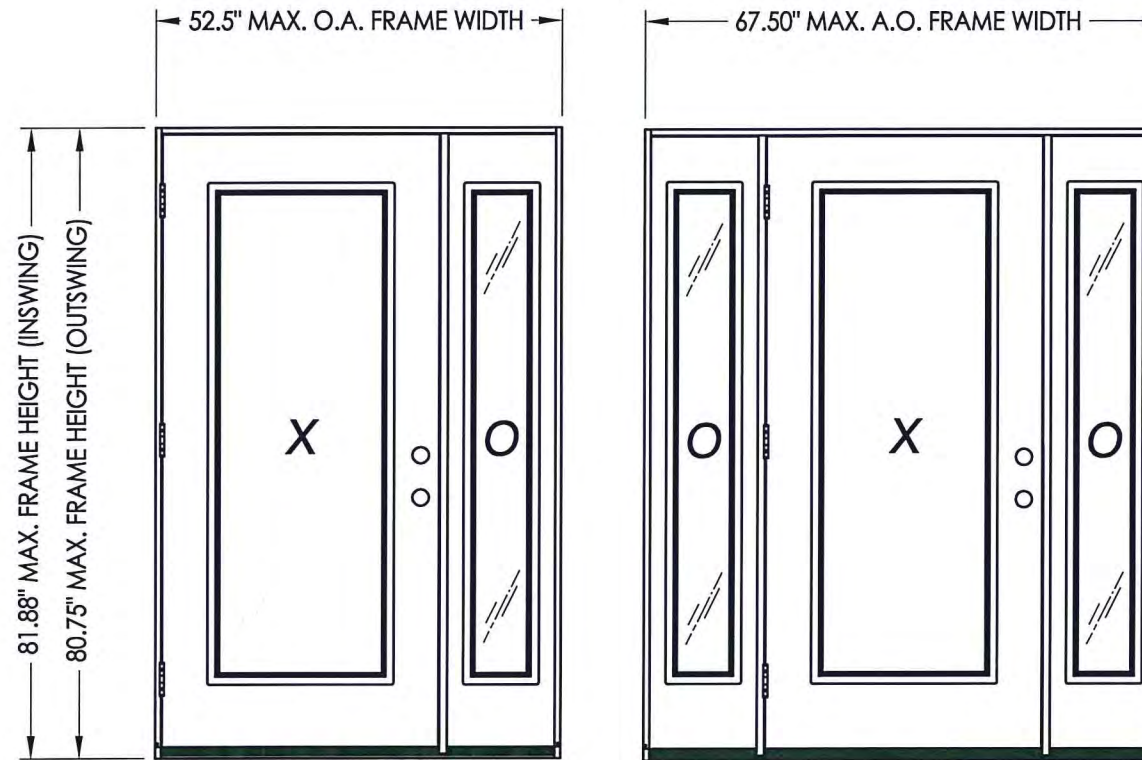
## GLAZED FIBERGLASS DOOR with SIDELITE(S) INSWING / OUTSWING "NON-IMPACT"

### GENERAL NOTES

1. This product has been evaluated and is in compliance with the 5th Edition (2014) Florida Building Code (FBC) structural requirements including the "High Velocity Hurricane Zone" (HVHZ).
2. Product anchors shall be as listed and spaced as shown on details. Anchor embedment to base material shall be beyond wall dressing or stucco.
3. When used in the "HVHZ" this product is required to be protected with an impact resistant covering that complies with Section 1626 of the FBC.
4. When used in areas outside of the "HVHZ" requiring wind borne debris protection this product is required to be protected with an impact resistant covering that complies with Section 1609.1.2 of the FBC.
5. For 2x stud framing construction, anchoring of these units shall be the same as that shown for 2x buck masonry construction.
6. Site conditions that deviate from the details of this drawing require further engineering analysis by a licensed engineer or registered architect.
7. Outswing configuration using threshold item #25 meet water infiltration requirements for "HVHZ".
8. Inswing configurations and outswing configuration using threshold item #27 do not meet the water infiltration requirements for the "HVHZ" and shall be installed only in non-habitable areas or at habitable locations protected by an overhang or canopy such that the angle between the edge of canopy or overhang to sill is less than 45 degrees.

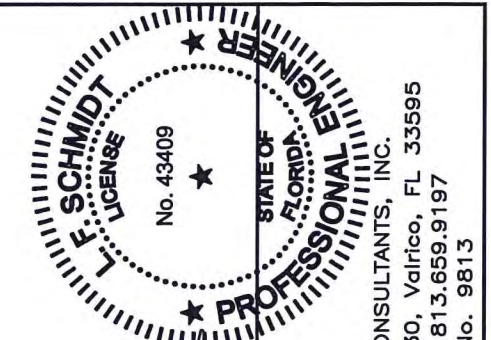
### TABLE OF CONTENTS

SHEET#	DESCRIPTION
1	Typical elevations, design pressures & general notes
2	Door panel details - flush glazing
3	Door panel details - lip lite glazing
4	Sidelite panel details & glazing details
5	Sidelite panel details & glazing details
6	Elevations
7	Horizontal cross sections
8	Vertical cross sections
9	Vertical cross sections
10	Buck anchoring
11	Frame anchoring
12	Components
13	Bill of materials & components



Continuous Head and Sill

CONFIGURATION	MAX. FRAME DIMENSION	JAMB TYPE	DESIGN PRESSURE (PSF) FLUSH GLAZED		DESIGN PRESSURE (PSF) LIP LITE	
			POSITIVE	NEGATIVE	POSITIVE	NEGATIVE
			OX/XO	53.0" x 81.88"	WOOD	+60.0
		FIBERGLASS/COMP	+55.0	-55.0	+47.0	-47.0
OXO	68.5" x 81.88"	WOOD	+60.0	-70.0	+47.0	-47.0
		FIBERGLASS/COMP	+55.0	-55.0	+47.0	-47.0

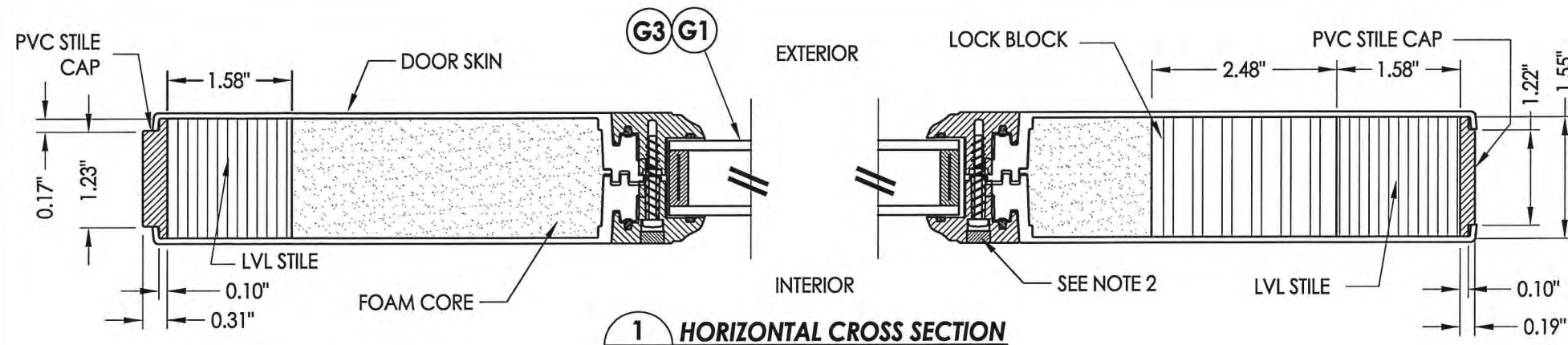


Documents Prepared By:  
Lyndon F. Schmidt  
P.E. No. 43409

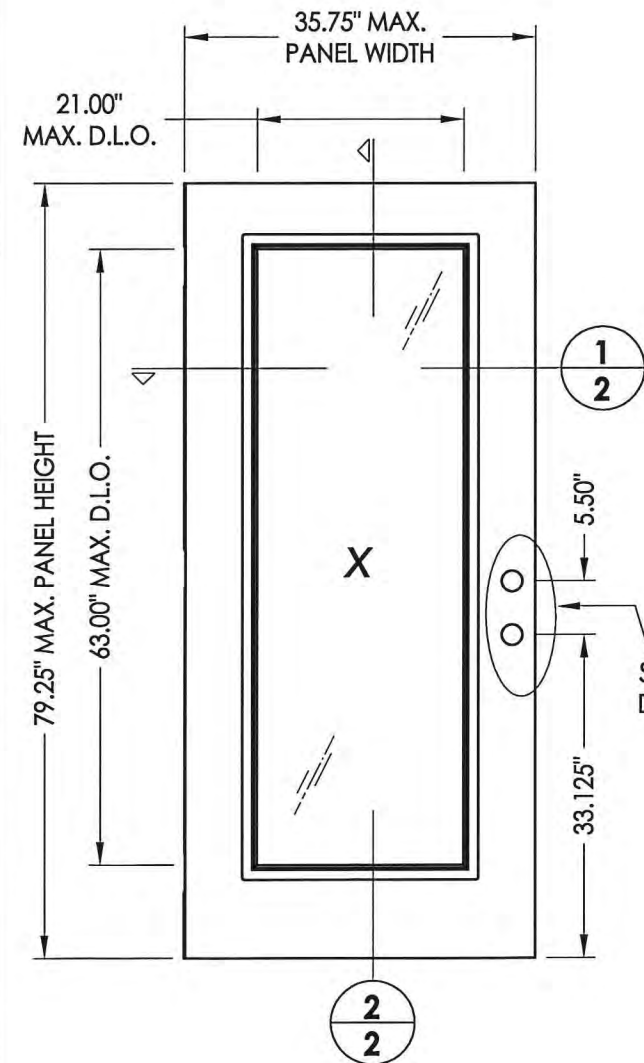
*RW* BUILDING CONSULTANTS, INC.  
P.O. Box 230, Vairico, FL 33595  
Phone No.: 813.659.9197  
FBPE C.A. No. 9813

PRODUCT:	TRINITY GLASS INT'L
PART OR ASSEMBLY:	TYPICAL ELEVATION, DESIGN PRESSURES & GENERAL NOTES
DATE:	2/27/12
SCALE:	N.T.S.
DWG. BY:	JK
CHK. BY:	LFS
DRAWING NO.:	FL-15255.14
SHEET	1 OF 13





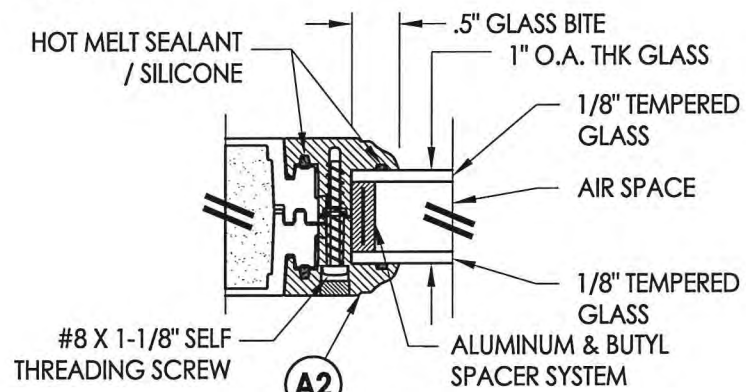
**1**  
**2** **HORIZONTAL CROSS SECTION**



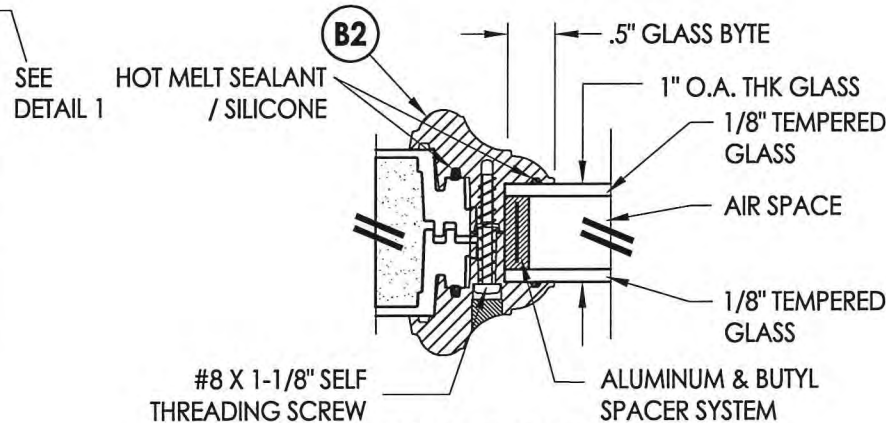
**40** **FIBERGLASS DOOR**  
with FLUSH GLAZING

FIBERGLASS DOOR SKIN: MIN. 0.079\"/>

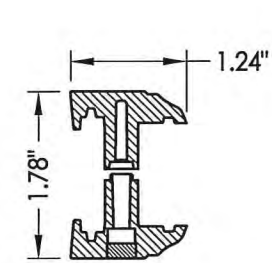
NOTES:  
Spacing for lite frame screws is as follows:  
Top/Bottom: 2-3/4\"/>



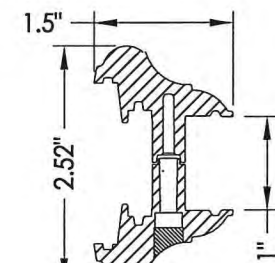
**G1** **GLAZING DETAIL**  
Flush Lite Frame



**G2** **GLAZING DETAIL**  
Mahogany Lite Frame

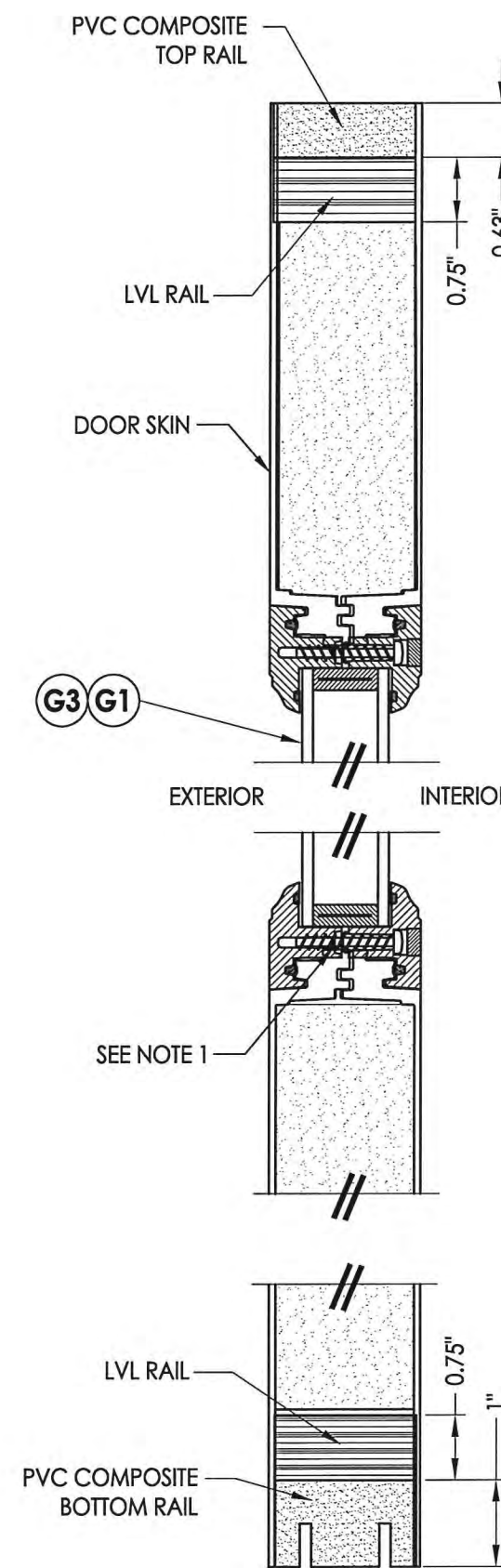


**A2** **FLUSH GLAZED FRAME**  
ABS or PC/ASA

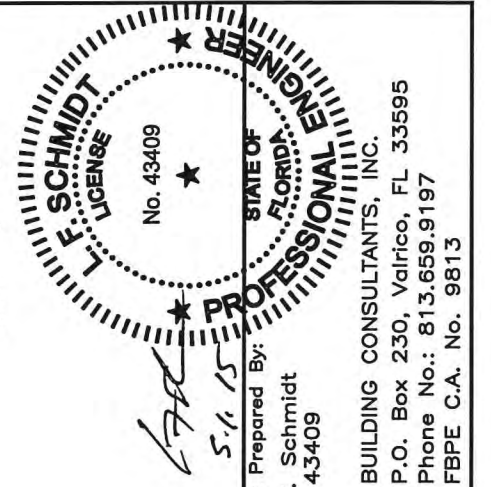


**B2** **MAHOGANY LITE FRAME**  
ABS or PC/ASA

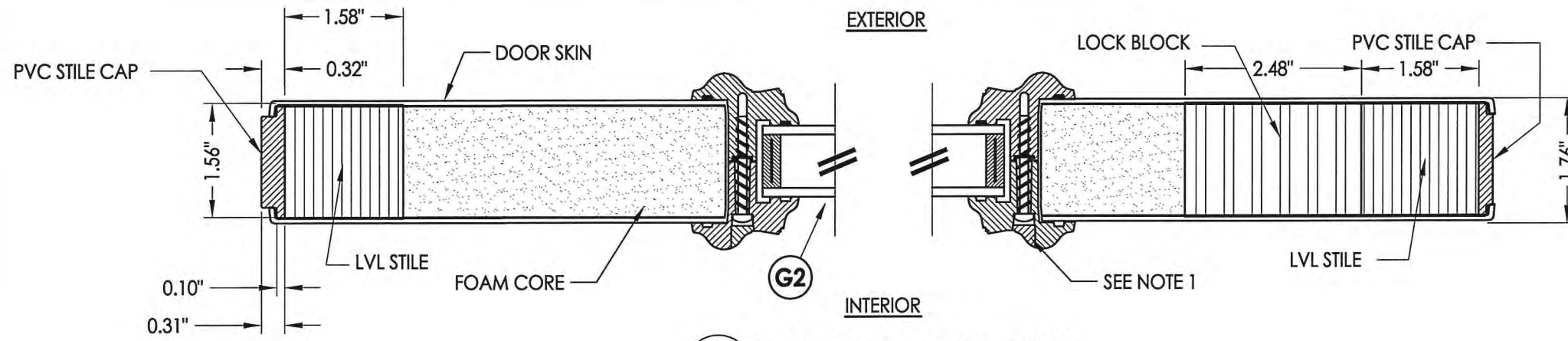
HARDWARE CHART	
MANUFACTURER	MODEL
KWIKSET	KNOB: SIGNATURE SERIES DEADBOLT: SIGNATURE SERIES (980)



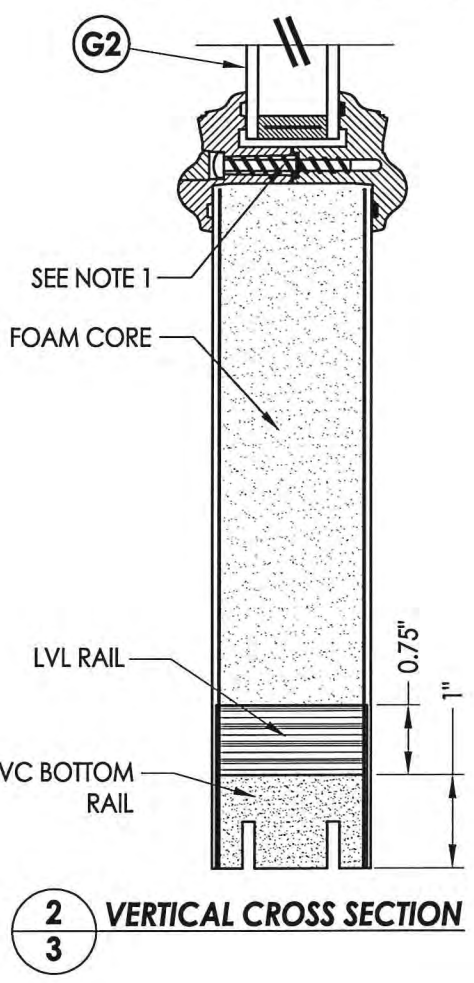
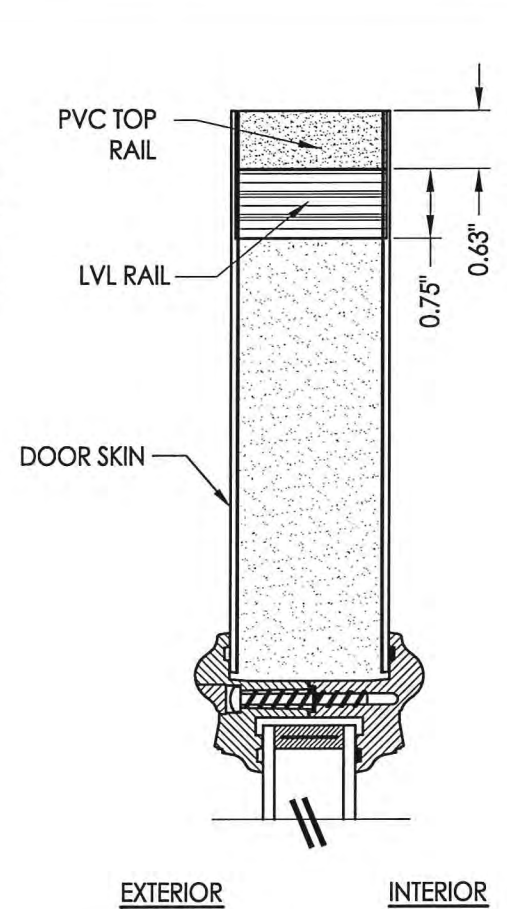
**2**  
**2** **VERTICAL CROSS SECTION**



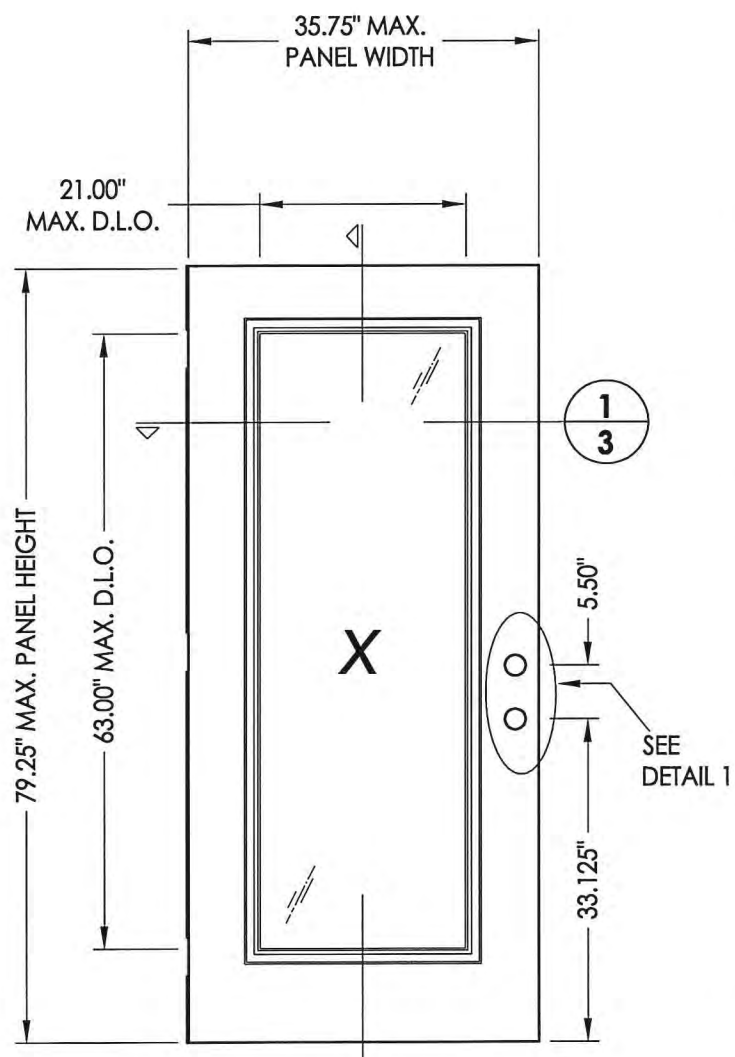
PRODUCT:	TRINITY GLASS INT'L
PART OR ASSEMBLY:	DOOR PANEL DETAILS FLUSH GLAZING
DATE:	2/27/12
SCALE:	N.T.S.
DWG. BY:	JK
CHK. BY:	LFS
DRAWING NO.:	FL-15255.14
SHEET	2 OF 13



**1**  
**3** HORIZONTAL CROSS SECTION

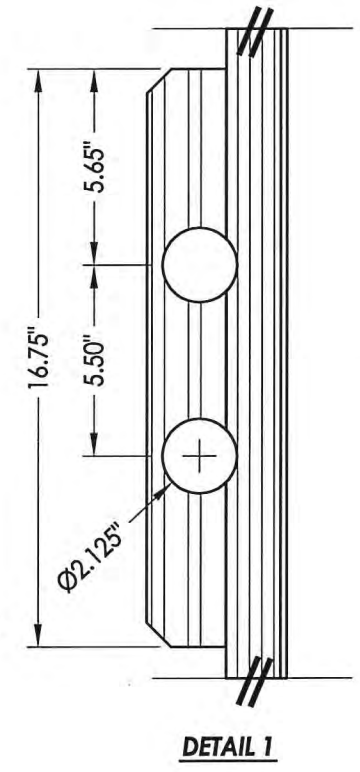


**2**  
**3** VERTICAL CROSS SECTION

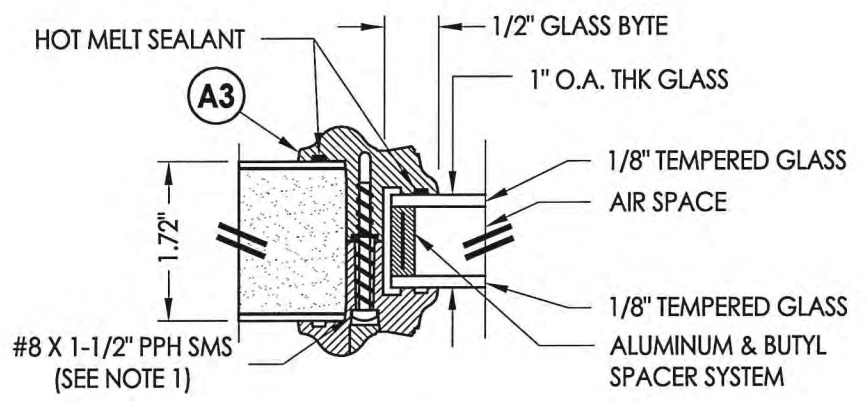


**2**  
**3** FIBERGLASS DOOR PANEL with LIP LITE GLAZING

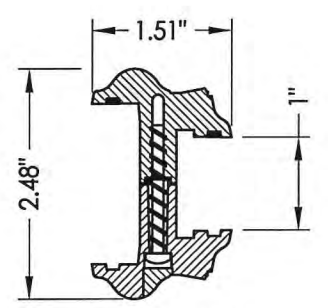
FIBERGLASS DOOR SKIN: MIN. 0.079\" THK.  
FOAM CORE MATERIAL: POLYURETHANE



DETAIL 1



**G2** GLAZING DETAIL Lip Lite Frame



**A3** LIP LITE FRAME ABS or PC/ASA

HARDWARE CHART	
MANUFACTURER	MODEL
KWIKSET	KNOB: SIGNATURE SERIES DEADBOLT: SIGNATURE SERIES (980)

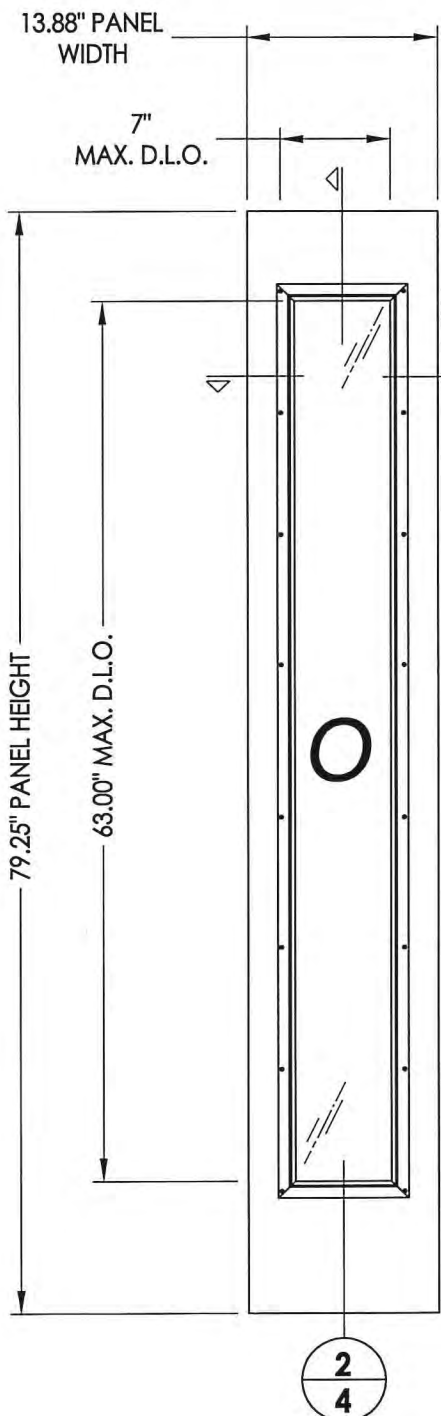
NOTE:  
1. Spacing for lite frame screw is as follows:  
Top and Bottom: 2\" from each corner and at centerline (3 total)  
Sides: 2\" from each corner and equally spaced thereafter (8 total)

Documents Prepared By: Lyndon F. Schmidt  
 P.E. No. 43409  
 BUILDING CONSULTANTS, INC.  
 P.O. Box 230, Valrico, FL 33595  
 Phone No.: 813.659.9197  
 FBPE C.A. No. 9813

PRODUCT:	TRINITY GLASS INT'L
PART OR ASSEMBLY:	DOOR PANEL DETAILS
NO.	DATE
1	03/02/15
JK	FBC
BY	
REVISIONS	
DATE:	2/27/12
SCALE:	N.T.S.
DWG. BY:	JK
CHK. BY:	LFS
DRAWING NO.:	FL-15255.14
SHEET	3 OF 13

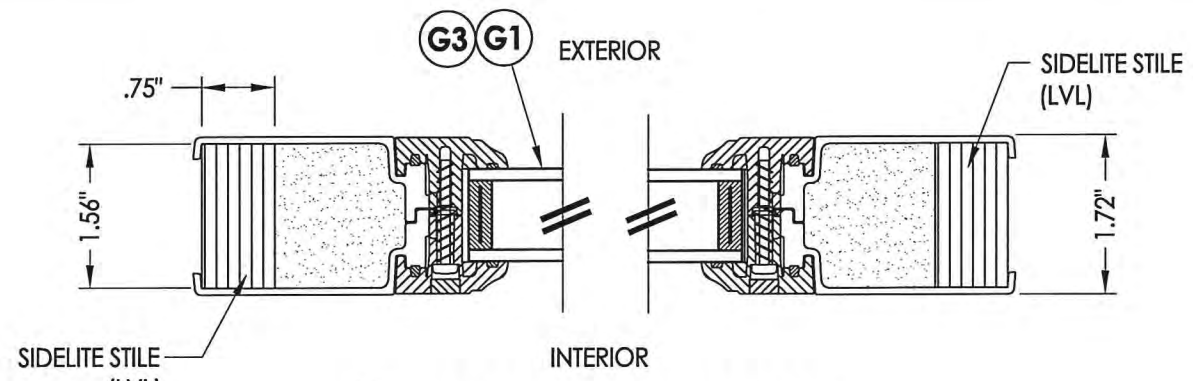


R:\Clients\Trinity PERMANENT\Florida Product Approvals\FL-15255\C - Drawings\FL-15255\FL-15255-13-16.dwg, 4.6

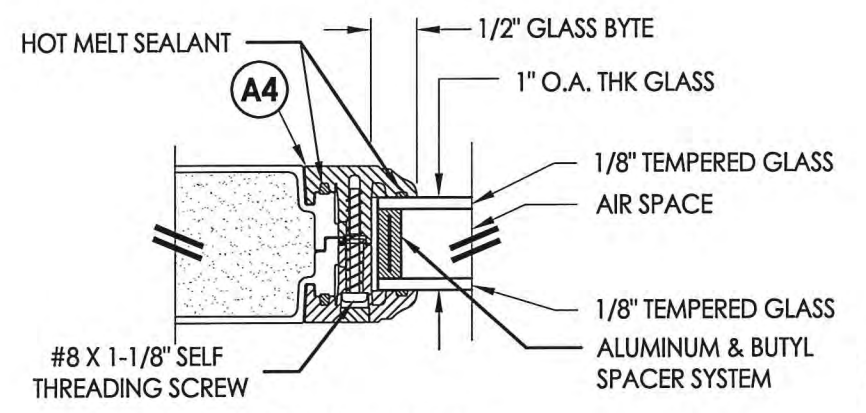


**42 FIBERGLASS SIDELITE**  
"Non-Impact" Flush Life Frame

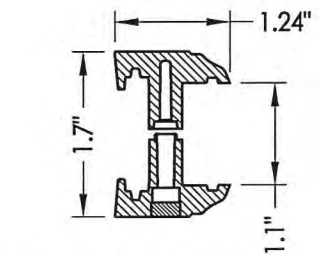
DOOR SKIN: 0.079" MIN. THK. FIBERGLASS  
CORE MATERIAL: POLYURETHANE FOAM



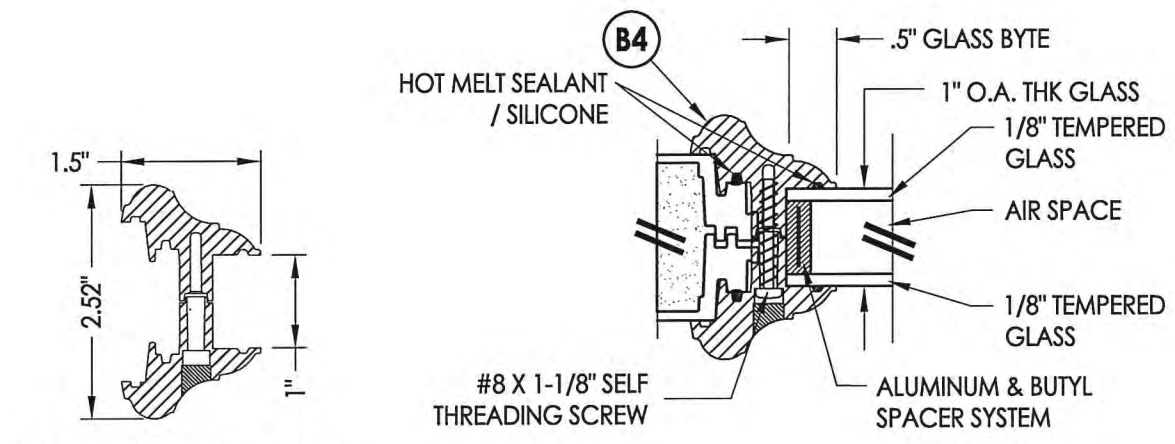
**1 HORIZONTAL CROSS SECTION**



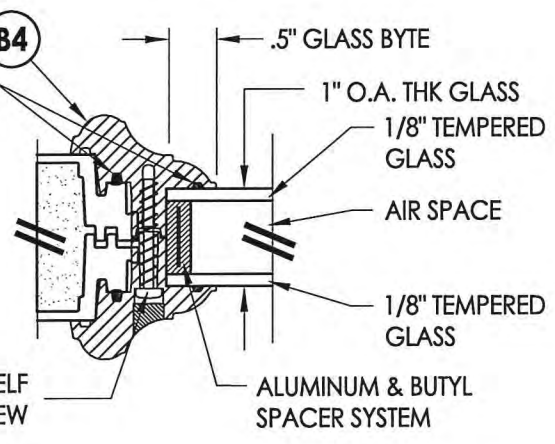
**G1 GLAZING DETAIL**  
Flush Life Frame



**A4 FLUSH GLAZED FRAME**  
ABS or PC/ASA

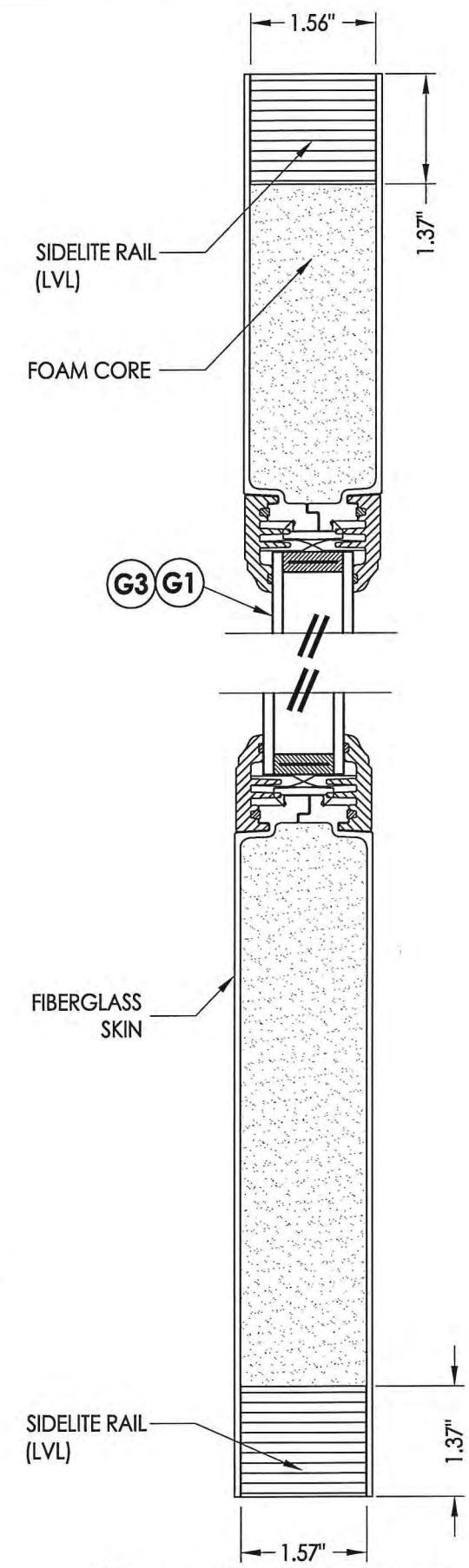


**B4 MAHOGANY LITE FRAME**  
ABS or PC/ASA

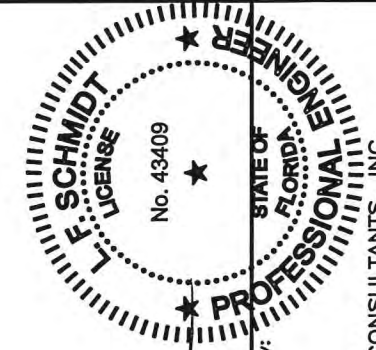


**G3 GLAZING DETAIL**  
Flush Life Frame

NOTE:  
1. Spacing for lite frame screw is as follows:  
Sides: 0.5" from each corner and 9.5" max. spacing thereafter (8 total)



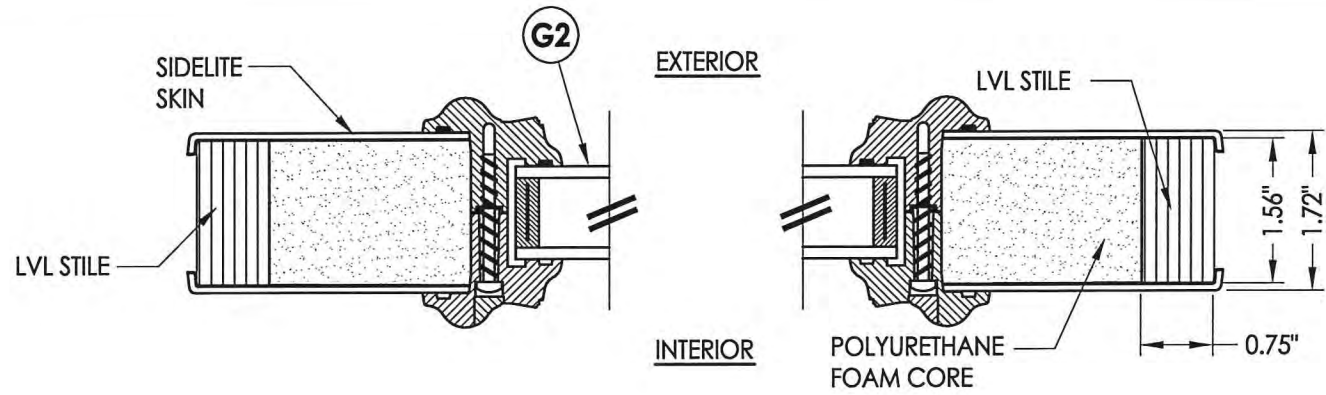
**2 VERTICAL CROSS SECTION**



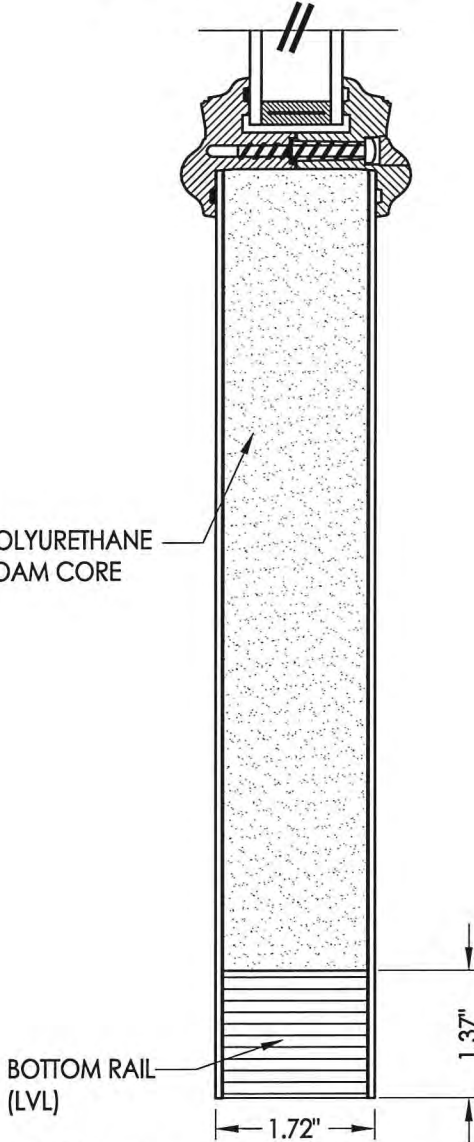
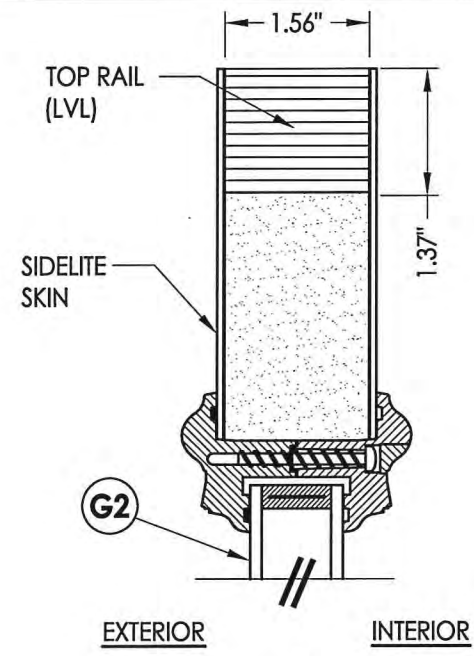
Documents Prepared By:  
Lyndon F. Schmidt  
P.E. No. 43409  
5.1.15

**R.W.**  
BUILDING CONSULTANTS, INC.  
P.O. Box 230, Valrico, FL 33595  
Phone No.: 813.659.9197  
FBPE C.A. No. 9813

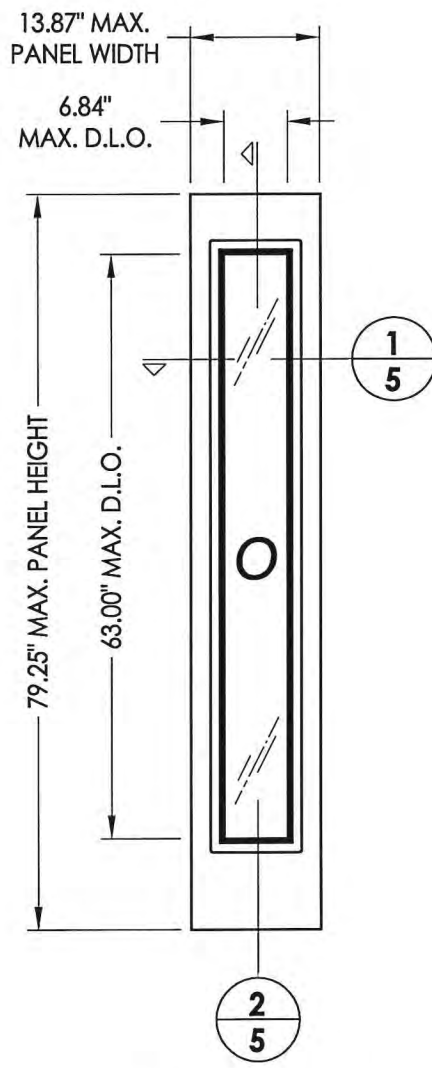
PRODUCT:	TRINITY GLASS INT'L	
PART OR ASSEMBLY:	SIDELITE PANEL DETAILS & GLAZING DETAILS	
NO.	DATE	BY
1	03/02/15	JK
UPDATE TO 5TH ED. (2014) FBC		
REVISIONS		
DATE:	2/27/12	
SCALE:	N.T.S.	
DWG. BY:	JK	
CHK. BY:	LFS	
DRAWING NO.:	FL-15255.14	
SHEET	4 OF 13	



**1**  
**5** **HORIZONTAL CROSS SECTION**

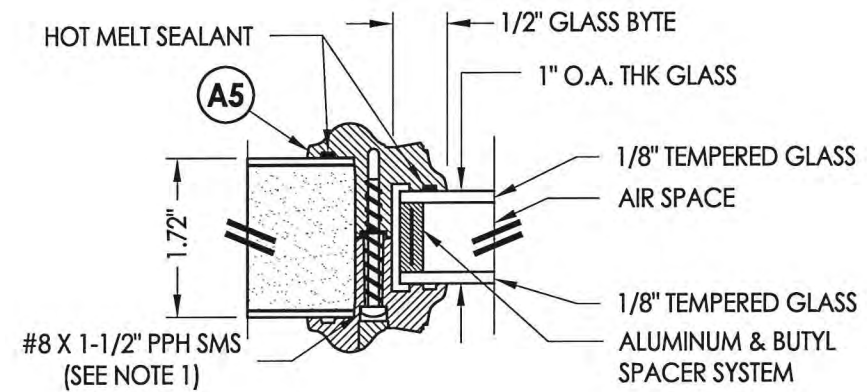


**2**  
**5** **VERTICAL CROSS SECTION**

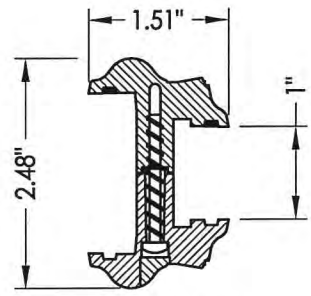


**41** **FIBERGLASS SIDELITE**  
"Non-Impact" Lite Frame

DOOR SKIN: 0.079" MIN. THK. FIBERGLASS  
CORE MATERIAL: POLYURETHANE FOAM

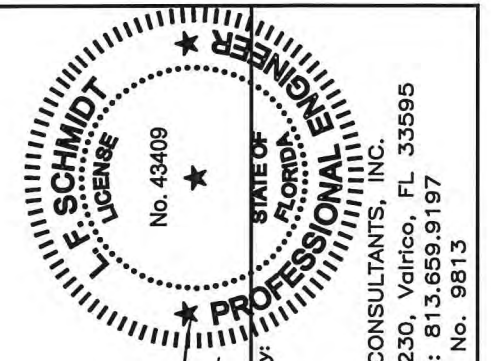


**G2** **GLAZING DETAIL**  
Lip Lite Frame



**A5** **LIP LITE FRAME**  
ABS or PC/ASA

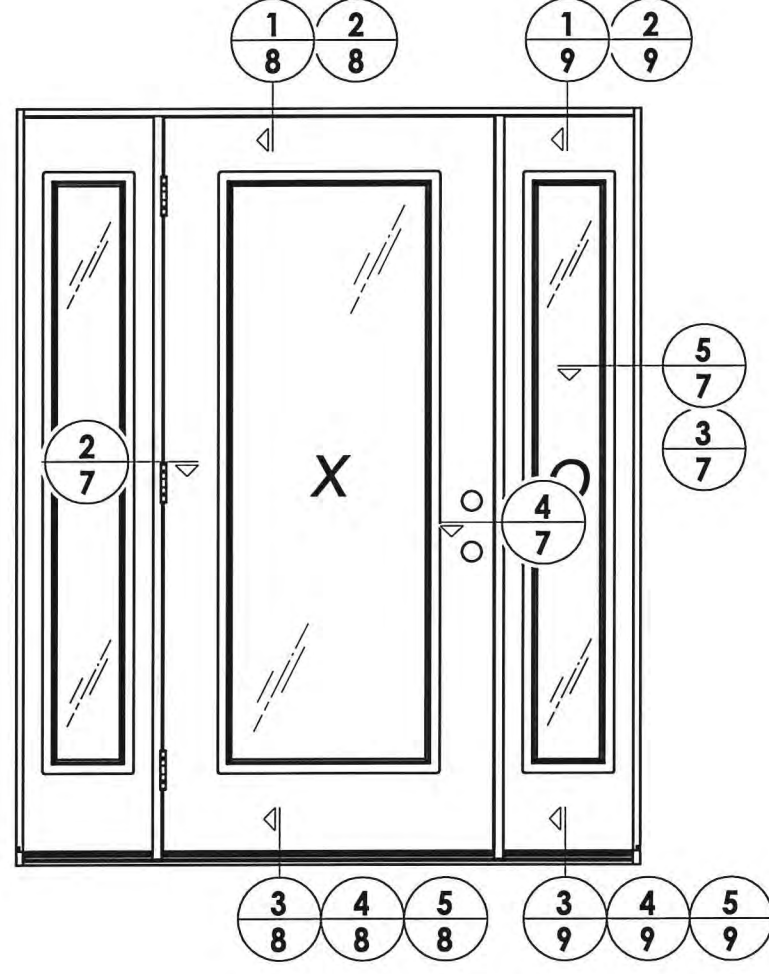
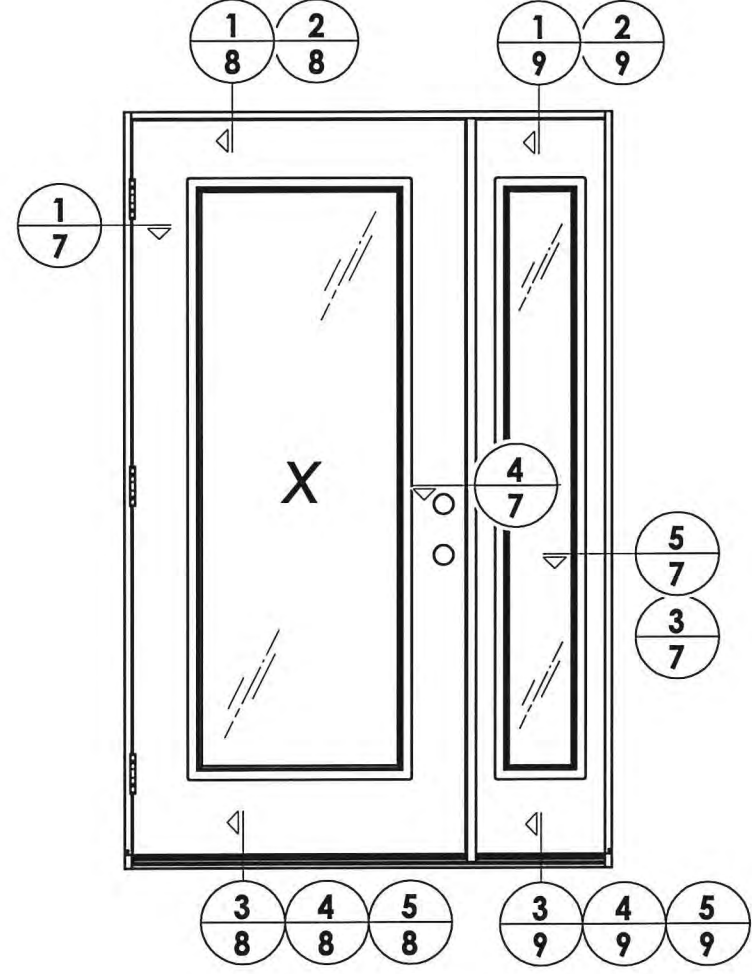
NOTE:  
1. Spacing for lite frame screw is as follows:  
Top and Bottom: 2" from each corner (2 total)  
Sides: 2" from each corner and equally spaced thereafter (8 total)



Documents Prepared By:  
Lyndon F. Schmidt  
P.E. No. 43409  
*6.7.15*  
*5.1.15*

**RW** BUILDING CONSULTANTS, INC.  
P.O. Box 230, Valrico, FL 33595  
Phone No.: 813.659.9197  
FBPE C.A. No. 9813

PRODUCT:	TRINITY GLASS INT'L	
PART OR ASSEMBLY:	SIDELITE PANEL DETAILS & GLAZING DETAILS	
NO.	DATE	BY
1	03/02/15	JK
	UPDATE TO 5TH ED. (2014)	FBC
REVISIONS		
DATE:	2/27/12	
SCALE:	N.T.S.	
DWG. BY:	JK	
CHK. BY:	LFS	
DRAWING NO.:	FL-15255.14	
SHEET	5 OF 13	



Documents Prepared By:  
Lyndon F. Schmidt  
P.E. No. 43409

**RW** BUILDING CONSULTANTS, INC.  
P.O. Box 230, Vairico, FL 33595  
Phone No.: 813.659.9197  
FBPE C.A. No. 9813

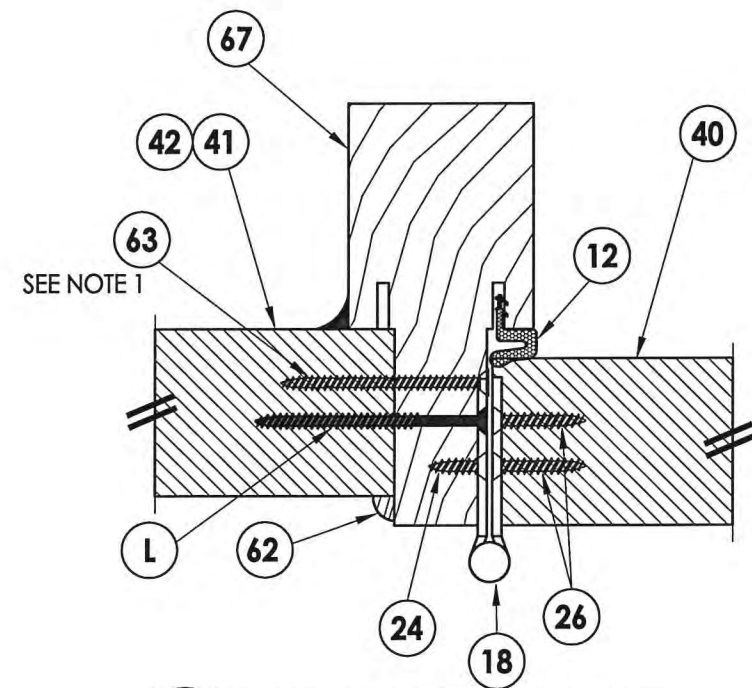
PRODUCT:	TRINITY GLASS INT'L	
PART OR ASSEMBLY:	ELEVATIONS	
DATE:	2/27/12	
SCALE:	N.T.S.	
DWG. BY:	JK	
CHK. BY:	LFS	
DRAWING NO.:	FL-15255.14	
SHEET	6 OF 13	
NO.	DATE	DESCRIPTION
1	03/02/15	UPDATE TO 5TH ED. (2014) FBC
JK		
BY		



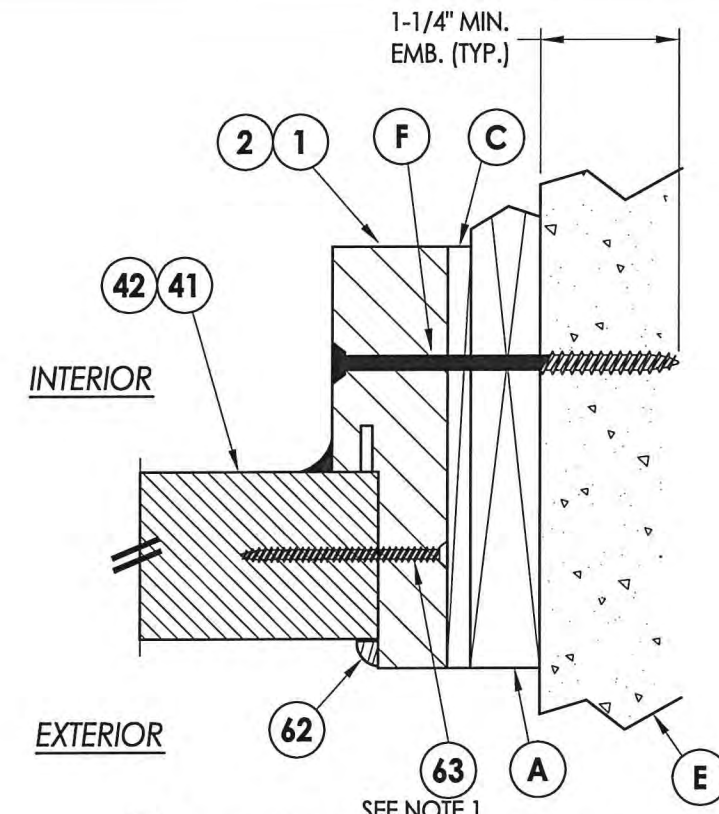
R:\Clients\Trinity PERMANENT\Florida Product Approvals\FL-15255C - Drawings\FL-15255\FL-15255.13-16.dwg, 7.6

**NOTE:**

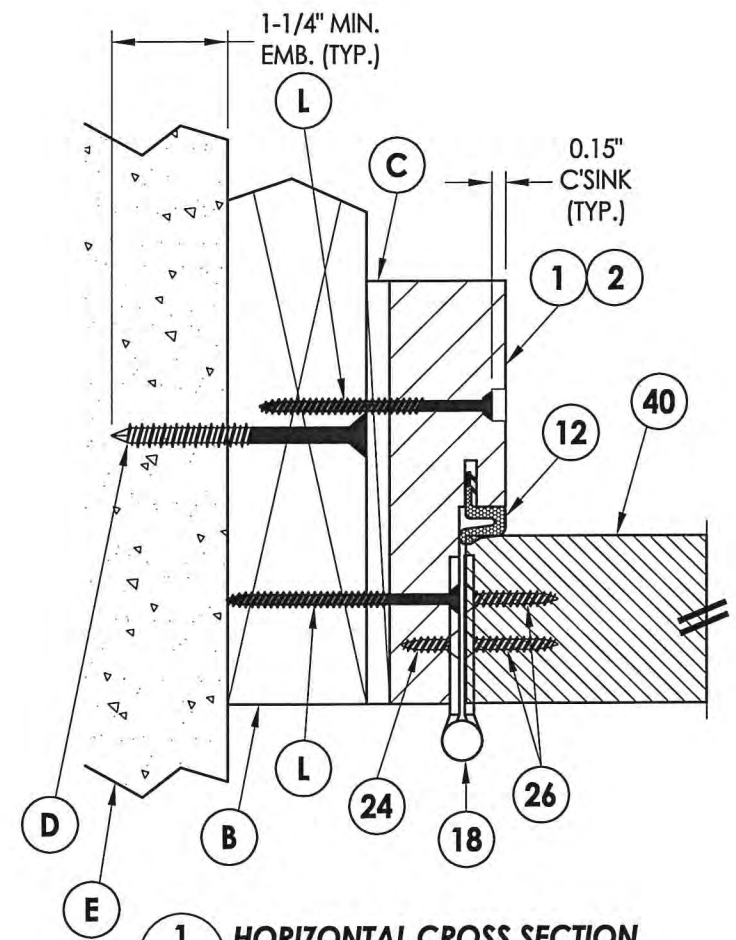
- 1. Item #63 located 6" from each end and 3 more equally spaced (5 total).
- 2. PVC frame may be use with double door without sidelites only.



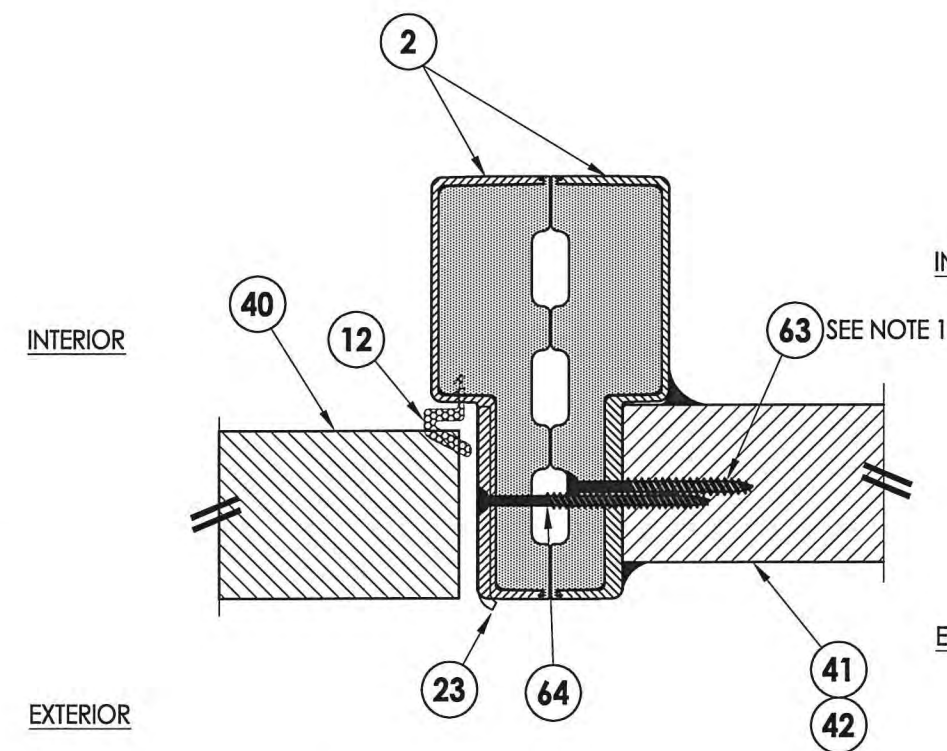
**2 HORIZONTAL CROSS SECTION**  
**7** Outswing shown - Inswing also approved  
 Shown w/ wood mullion



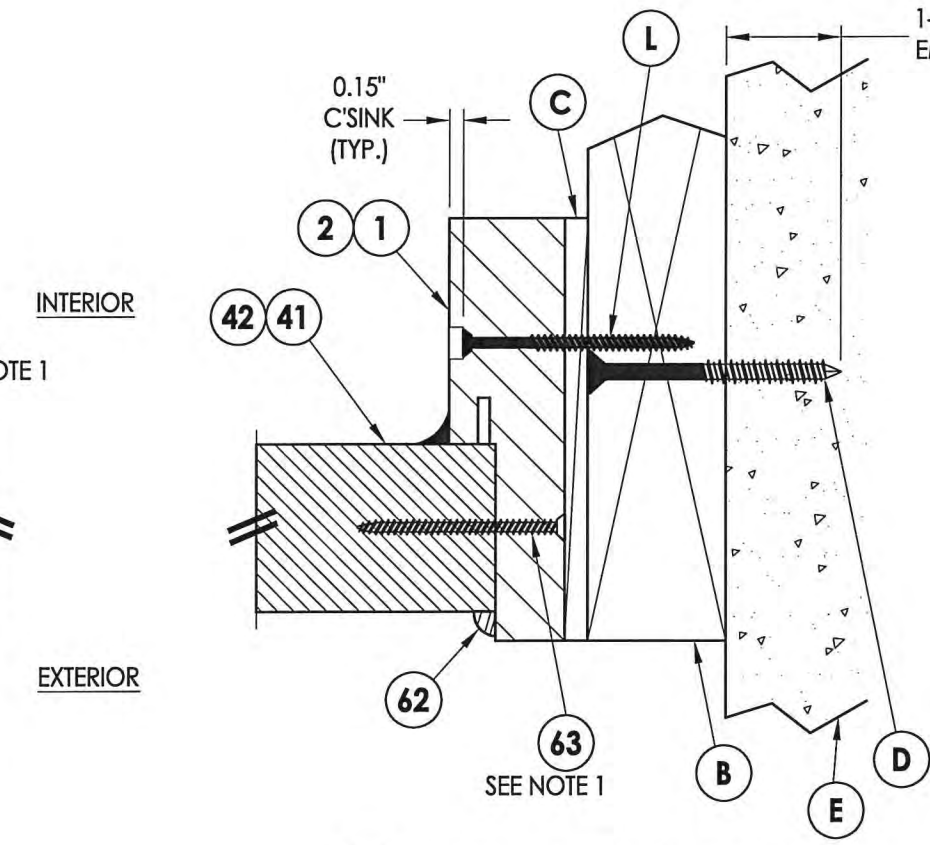
**3 HORIZONTAL CROSS SECTION**  
**7** Shown w/1X sub-buck



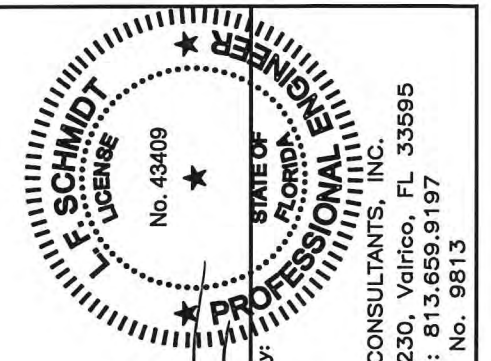
**1 HORIZONTAL CROSS SECTION**  
**7** Outswing shown - Inswing also approved



**4 HORIZONTAL CROSS SECTION**  
**7** Outswing shown - Inswing also approved  
 Shown w/ Fiberglass/Comp. jambs



**5 HORIZONTAL CROSS SECTION**  
**7** Outswing shown - Inswing also approved



Documents Prepared By:  
 Lyndon F. Schmidt  
 P.E. No. 43409

**R.W.** BUILDING CONSULTANTS, INC.  
 P.O. Box 230, Vairico, FL 33595  
 Phone No.: 813.659.9197  
 FBPE C.A. No. 9813

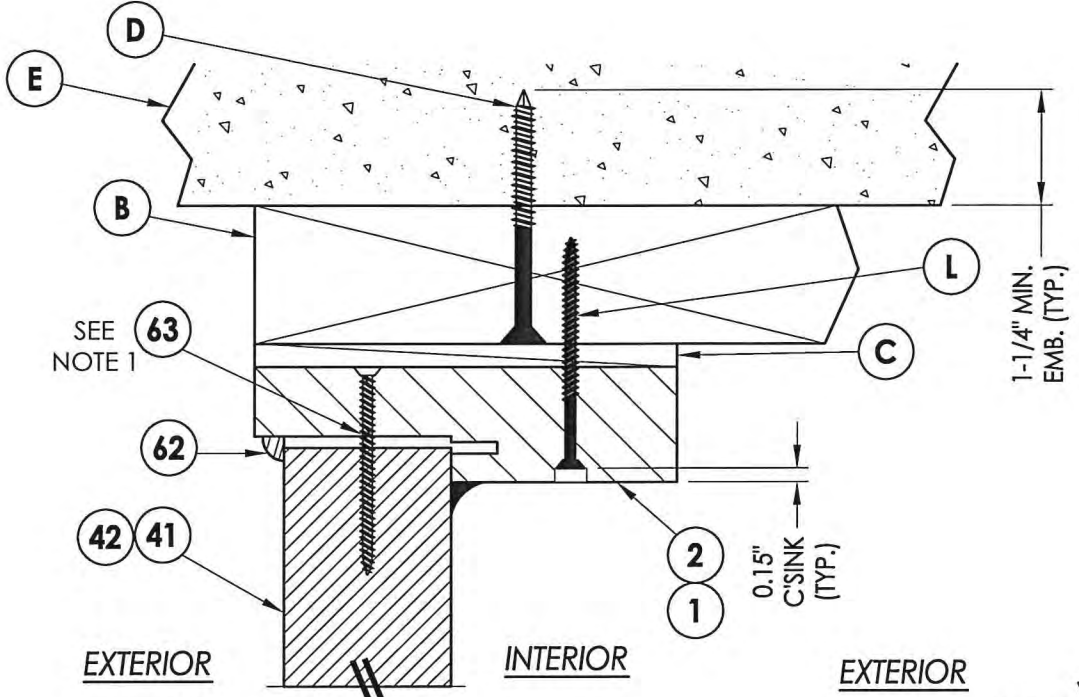
PRODUCT:	TRINITY GLASS INT'L
PART OR ASSEMBLY:	HORIZONTAL CROSS SECTIONS

NO.	DATE	BY
1	03/02/15	JK
UPDATE TO 5TH ED. (2014) FBC		

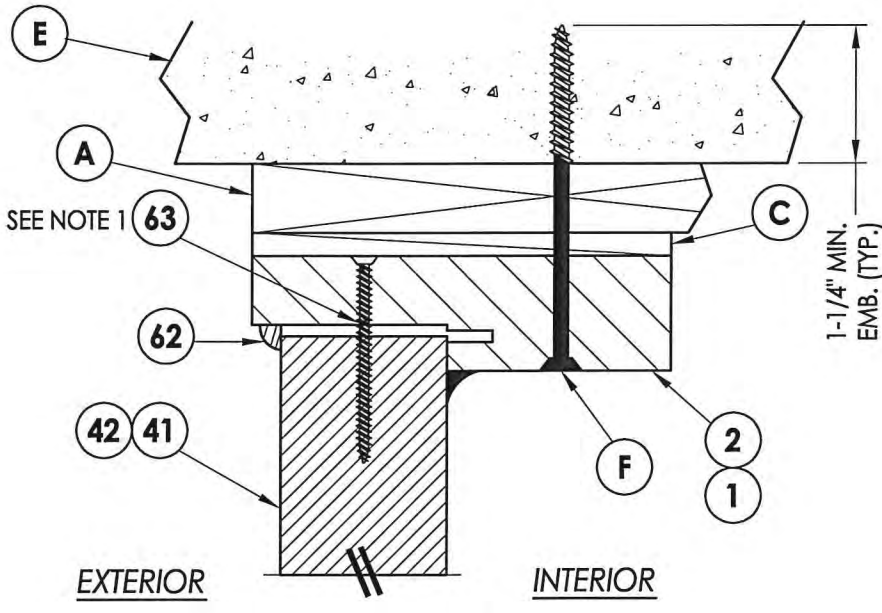
DATE:	2/27/12
SCALE:	N.T.S.
DWG. BY:	JK
CHK. BY:	LFS
DRAWING NO.:	FL-15255.14
SHEET	7 OF 13



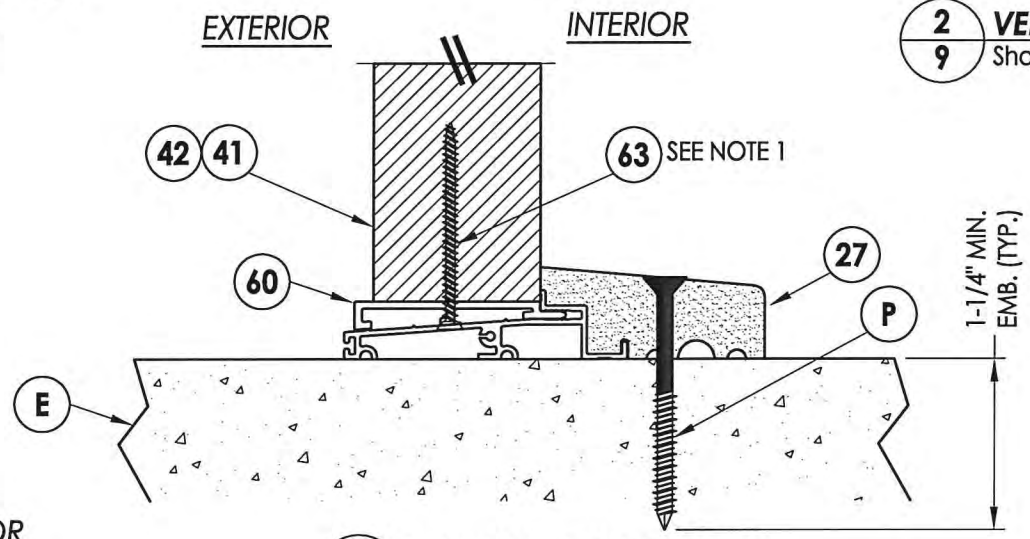




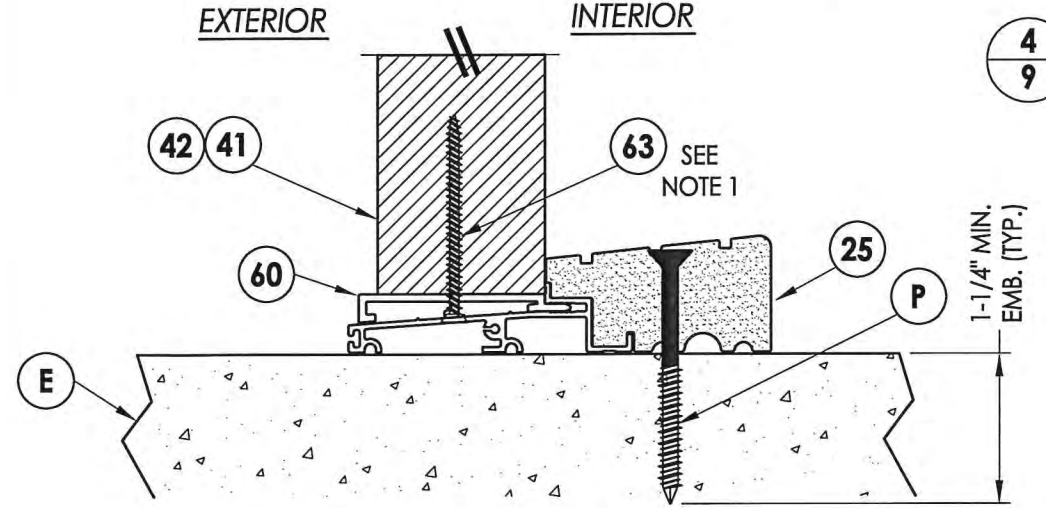
**1**  
**9** VERTICAL CROSS SECTION



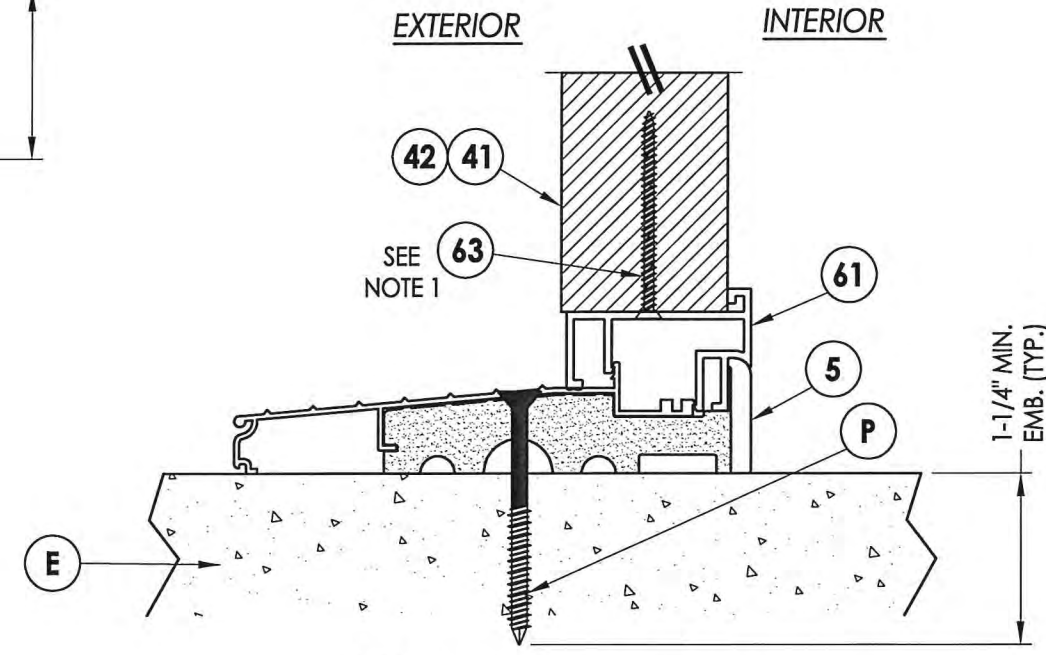
**2**  
**9** VERTICAL CROSS SECTION  
Shown w/1X sub-buck



**4**  
**9** VERTICAL CROSS SECTION  
Outswing sill

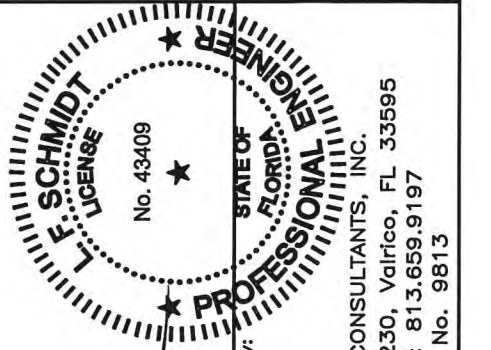


**3**  
**9** VERTICAL CROSS SECTION  
Outswing sill - high dam



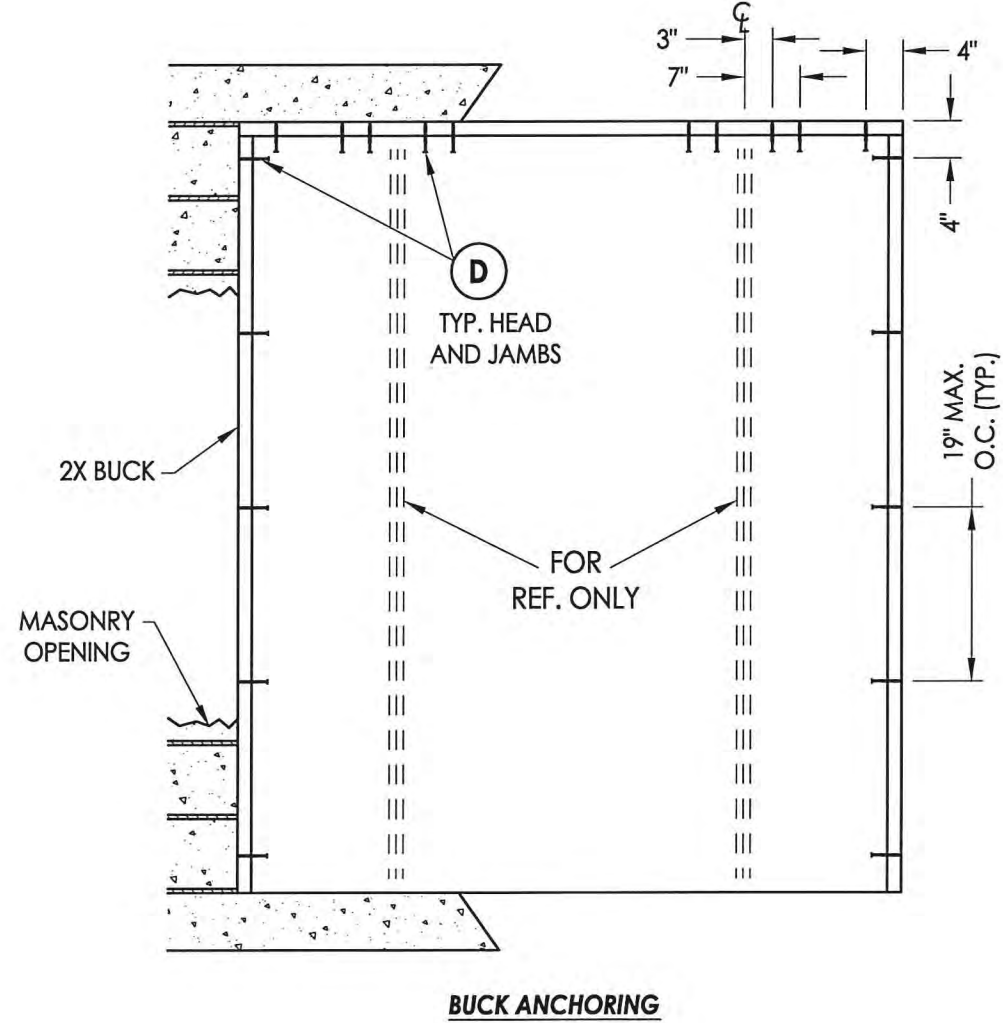
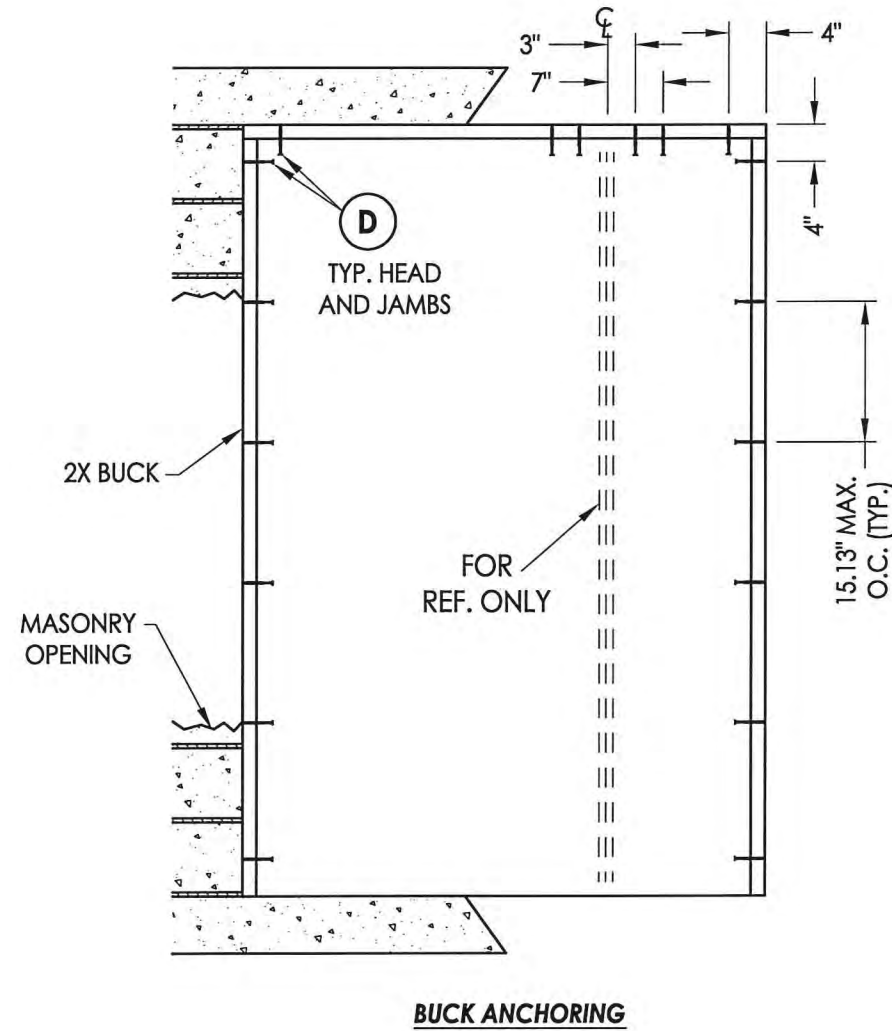
**5**  
**9** VERTICAL CROSS SECTION  
Inswing sill

NOTE:  
1. Screws thru head and sill jamb located 3\"/>



Documents Prepared By:  
Lyndon F. Schmidt  
P.E. No. 43409  
*R.W.*  
BUILDING CONSULTANTS, INC.  
P.O. Box 230, Vairico, FL 33595  
Phone No.: 813.659.9197  
FBPE C.A. No. 9813

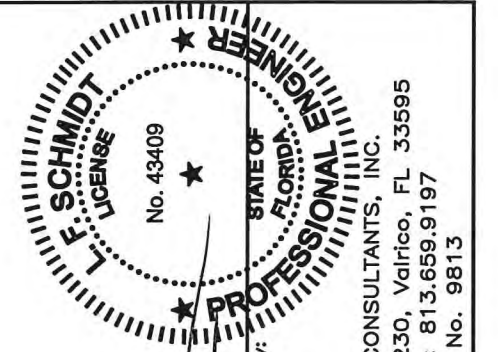
PRODUCT:	TRINITY GLASS INT'L	
PART OR ASSEMBLY:	VERTICAL CROSS SECTIONS	
NO.	DATE	BY
1	03/02/15	JK
		BY
REVISIONS		
DATE:	2/27/12	
SCALE:	N.T.S.	
DWG. BY:	JK	
CHK. BY:	LFS	
DRAWING NO.:	FL-15255.14	
SHEET	9	OF 13



**CONCRETE ANCHOR NOTES:**

1. Concrete anchor locations at the corners may be adjusted to maintain the min. edge distance to mortar joints.
2. Concrete anchor locations noted as "MAX. ON CENTER" must be adjusted to maintain the min. edge distance to mortar joints, additional concrete anchors may be required to ensure the "MAX. ON CENTER" dimension are not exceeded.
3. Concrete anchor table:

ANCHOR TYPE	ANCHOR SIZE	MIN. EMBEDMENT	MIN. CLEARANCE TO MASONRY EDGE	MIN. CLEARANCE TO ADJACENT ANCHOR
ITW TAPCON®	1/4"	1-1/4"	2"	4"
ELCO ULTRACON®	1/4"	1-1/4"	1"	4"



*LFS*  
5.11.15

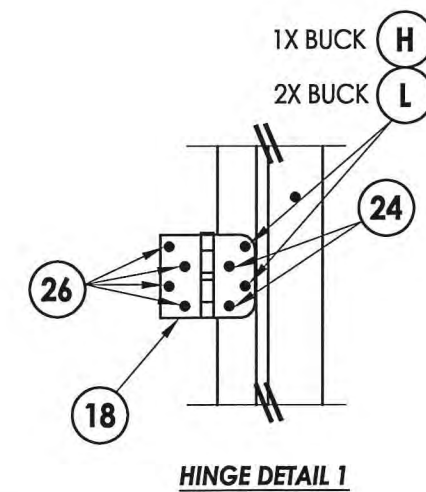
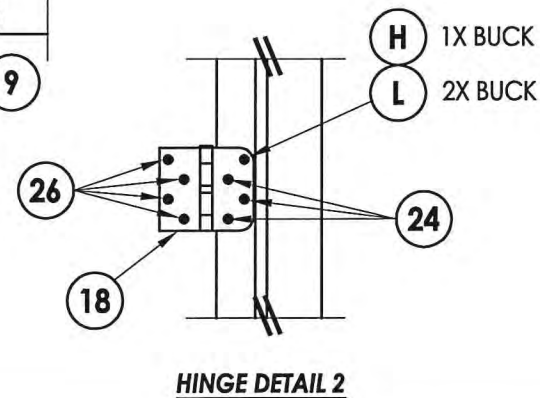
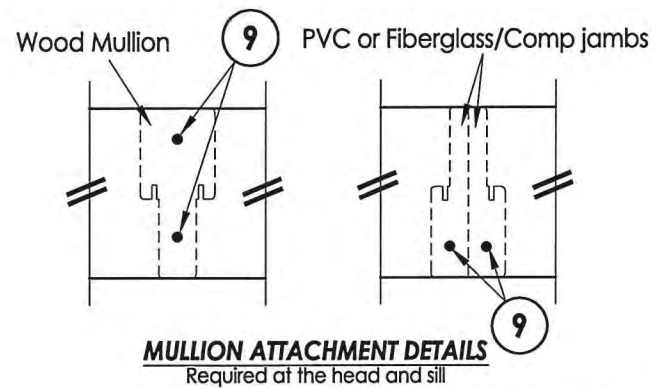
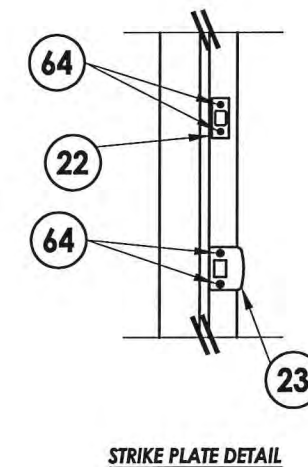
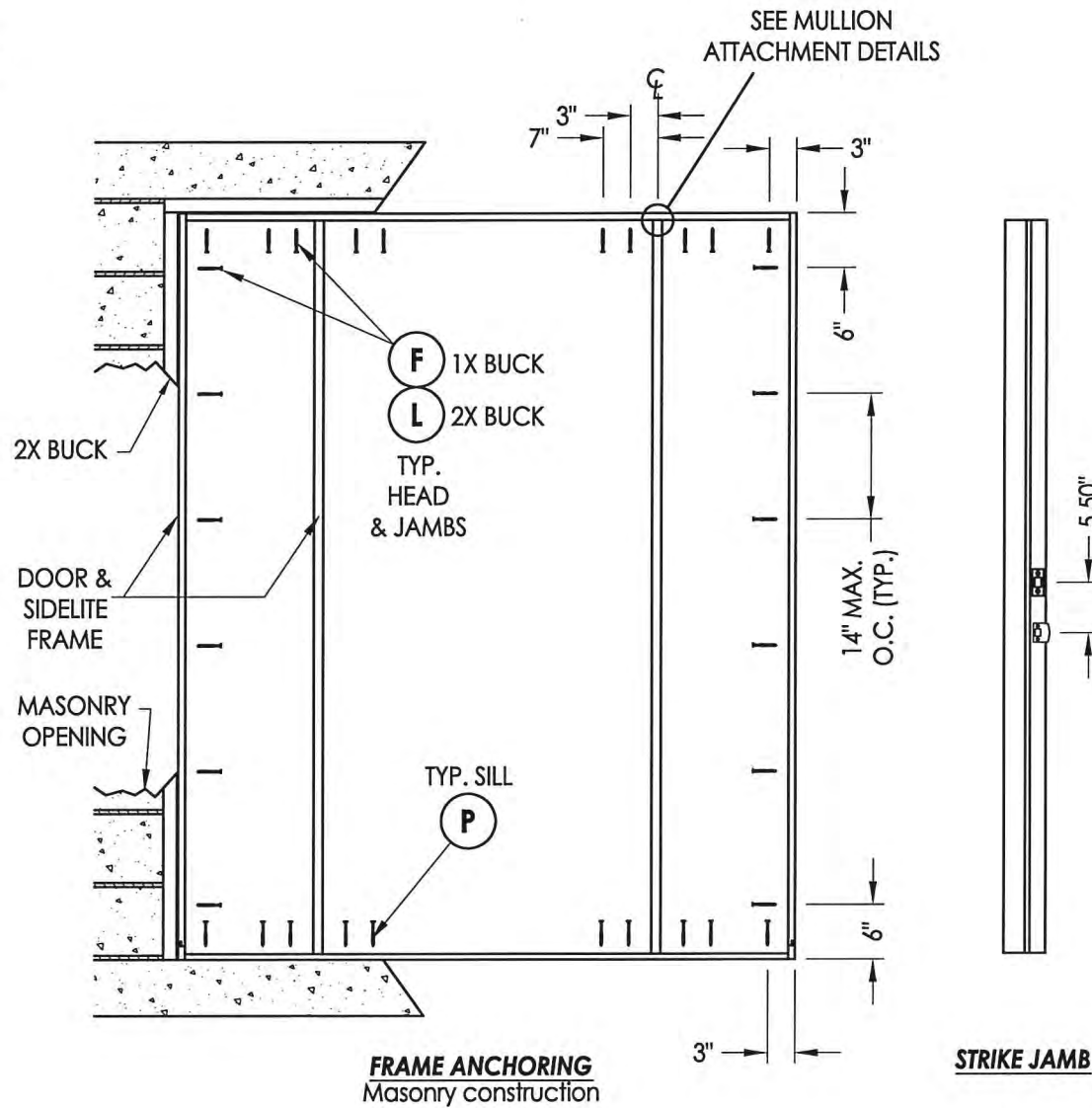
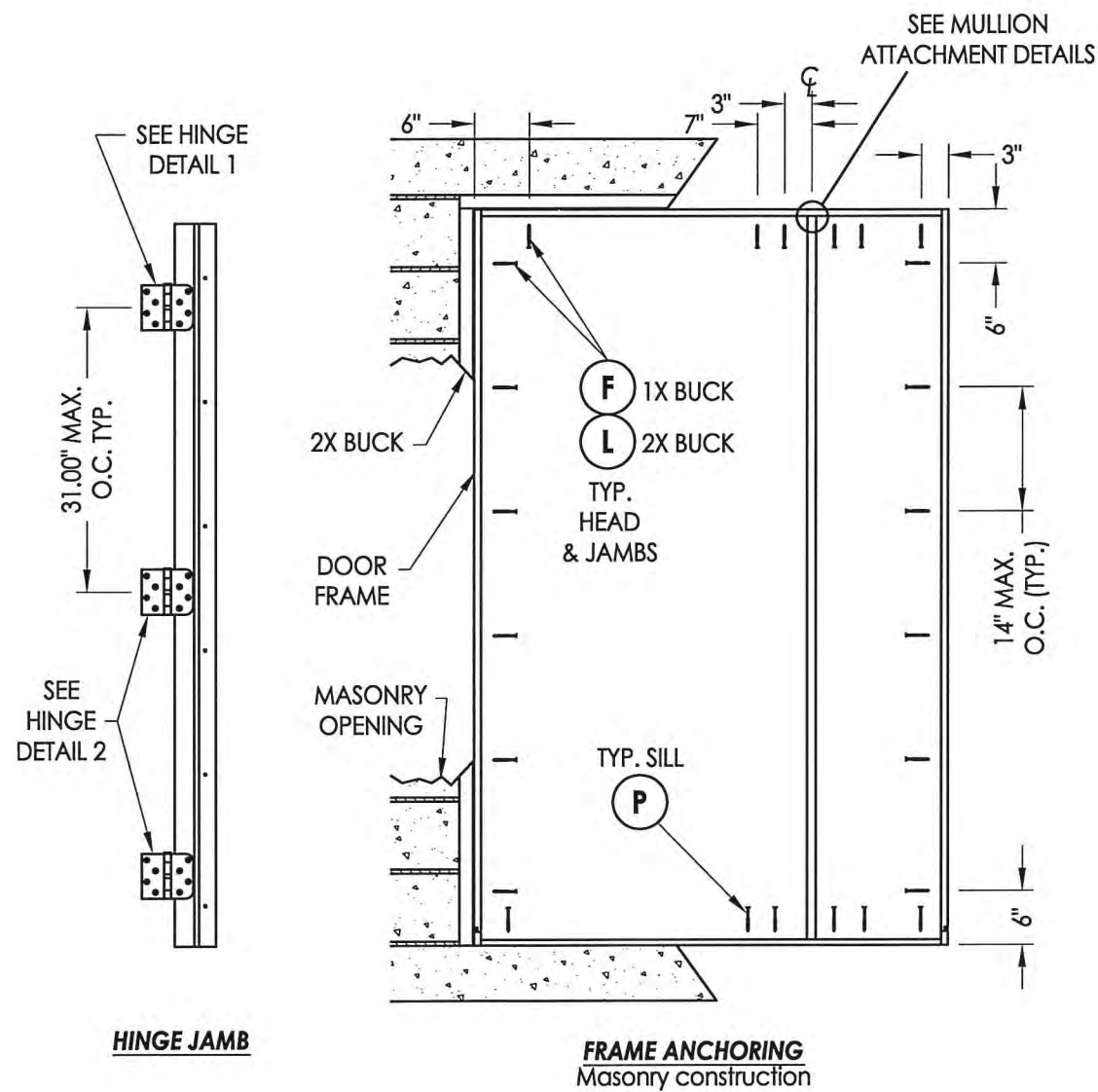
Documents Prepared By:  
Lyndon F. Schmidt  
P.E. No. 43409

**RW**  
BUILDING CONSULTANTS, INC.  
P.O. Box 230, Valrico, FL 33595  
Phone No.: 813.659.9197  
FBPE C.A. No. 9813

PRODUCT:	TRINITY GLASS INT'L	
PART OR ASSEMBLY:	BUCK ANCHORING	
NO.	DATE	BY
1	03/02/15	JK
UPDATE TO 5TH ED. (2014) FBC		
REVISIONS		

DATE:	2/27/12
SCALE:	N.T.S.
DWG. BY:	JK
CHK. BY:	LFS
DRAWING NO.:	FL-15255.14
SHEET	10 OF 13





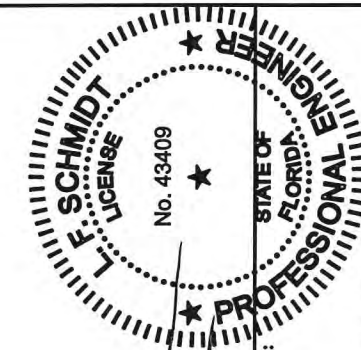
**CONCRETE ANCHOR NOTES:**

- Concrete anchor locations at the corners may be adjusted to maintain the min. edge distance to mortar joints.
- Concrete anchor locations noted as "MAX. ON CENTER" must be adjusted to maintain the min. edge distance to mortar joints, additional concrete anchors may be required to ensure the "MAX. ON CENTER" dimension are not exceeded.
- Concrete anchor table:

ANCHOR TYPE	ANCHOR SIZE	MIN. EMBEDMENT	MIN. CLEARANCE TO MASONRY EDGE	MIN. CLEARANCE TO ADJACENT ANCHOR
ITW TAPCON®	1/4"	1-1/4"	2"	4"
ELCO ULTRACON®	1/4"	1-1/4"	1"	4"
ITW TAPCON®	3/16"	1-1/4"	3"	1-1/2"

**WOOD SCREW INSTALLATION NOTES:**

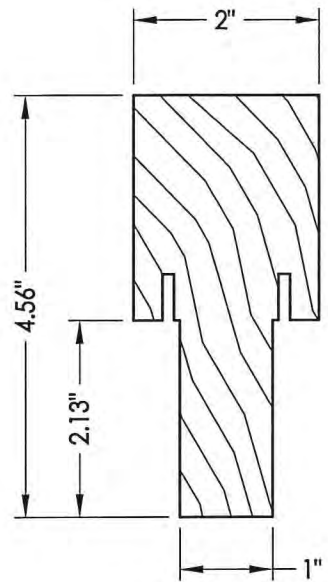
- Maintain a minimum 5/8" edge distance, 1" end distance, & 1" o.c. spacing of wood screws to prevent the splitting of wood.



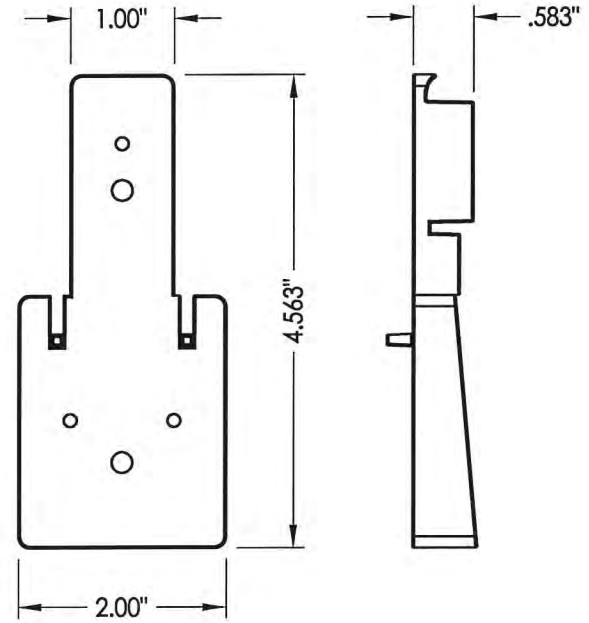
Documents Prepared By:  
Lyndon F. Schmidt  
P.E. No. 43409

**R.W. BUILDING CONSULTANTS, INC.**  
P.O. Box 230, Valrico, FL 33595  
Phone No.: 813.659.9197  
FBPE C.A. No. 9813

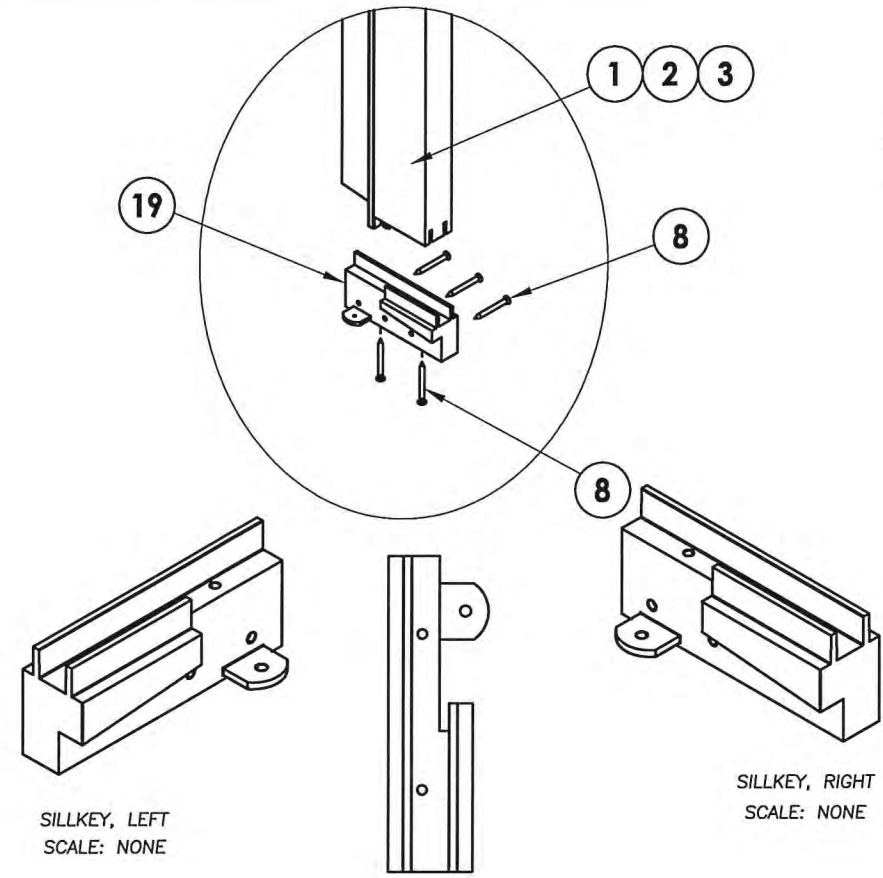
PRODUCT:	TRINITY GLASS INT'L
PART OR ASSEMBLY:	FRAME ANCHORING
DATE:	2/27/12
SCALE:	N.T.S.
DWG. BY:	JK
CHK. BY:	LFS
DRAWING NO.:	FL-15255.14
SHEET	11 OF 13



**67 INTEGRAL MULLION**



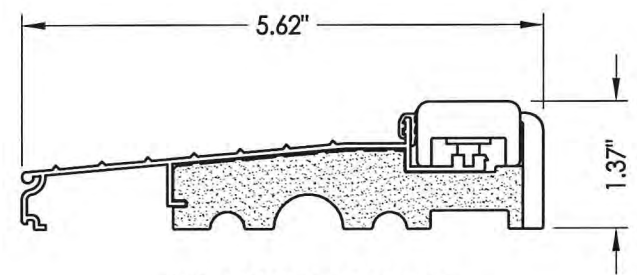
**69 MULLION BASE KIT**  
Optional



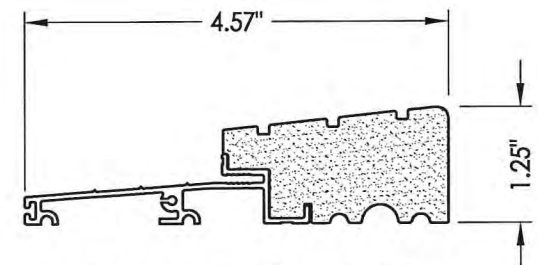
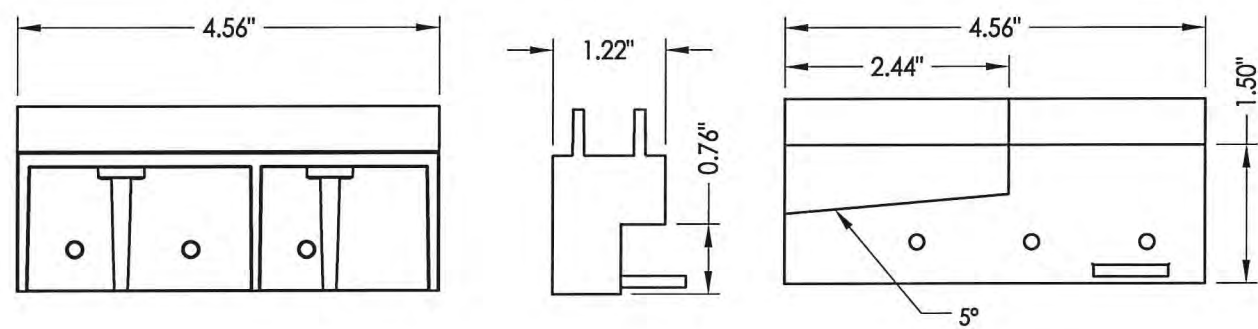
SILLKEY, LEFT  
SCALE: NONE

SILLKEY, RIGHT  
SCALE: NONE

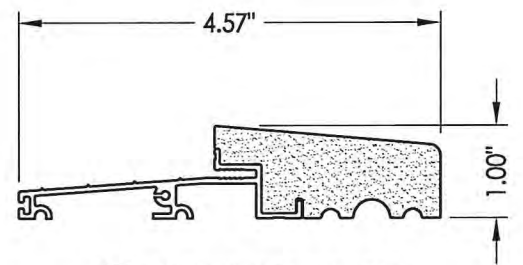
**19 SILLKEY DETAILS**  
Optional



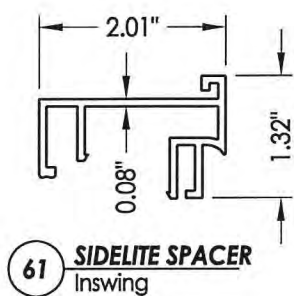
**5 INSWING THRESHOLD**



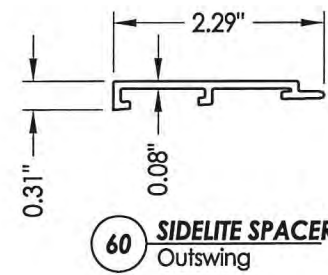
**25 OUTSWING THRESHOLD**  
High-dam



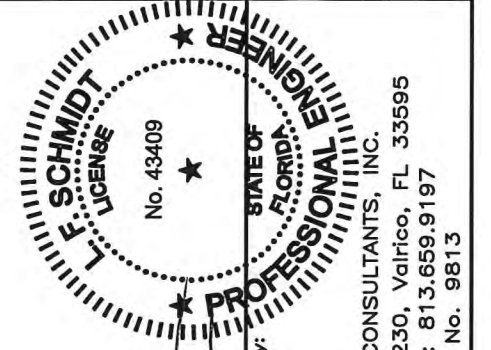
**27 OUTSWING THRESHOLD**



**61 SIDELITE SPACER**  
Inswing



**60 SIDELITE SPACER**  
Outswing



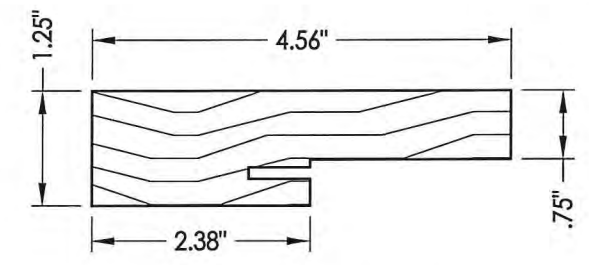
Documents Prepared By:  
Lyndon F. Schmidt  
P.E. No. 43409

**RW** BUILDING CONSULTANTS, INC.  
P.O. Box 230, Valrico, FL 33595  
Phone No.: 813.659.9197  
FBPE C.A. No. 9813

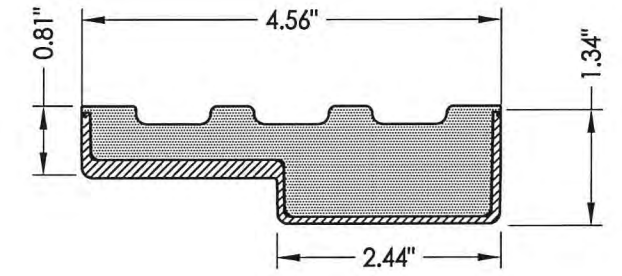
PRODUCT: TRINITY GLASS INT'L	
PART OR ASSEMBLY: COMPONENTS	
NO.	DATE
1	03/02/15
UPDATE TO 5TH ED. (2014) FBC	
JK	BY
REVISIONS	
DATE: 2/27/12	
SCALE: N.T.S.	
DWG. BY: JK	
CHK. BY: LFS	
DRAWING NO.: FL-15255.14	
SHEET 12 OF 13	



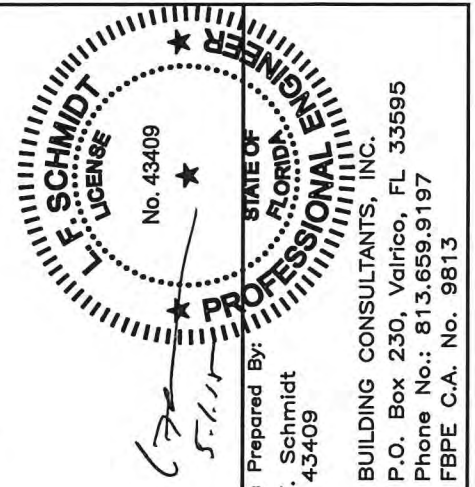
BILL OF MATERIALS		
ITEM #	DESCRIPTION	MATERIAL
A	1X BUCK SG >= 0.55	WOOD
B	2X BUCK SG >= 0.55	WOOD
C	1/4" MAX. SHIM SPACE	-
D	1/4" X 2-3/4" PFH ELCO OR ITW CONCRETE SCREW	STEEL
E	MASONRY - 3,000 PSI MIN. CONCRETE CONFORMING TO ACI 301 OR HOLLOW BLOCK CONFORMING TO ASTM C90	CONCRETE
F	1/4" X 3-3/4" PFH ITW CONCRETE SCREW	STEEL
H	1/4" X 3-1/4" PFH ITW CONCRETE SCREW	STEEL
J	#9 X 2-1/4" PFH WS	STEEL
L	#8 X 2-1/2" PFH WS	STEEL
M	3/16" X 3-1/4" PFH ITW CONCRETE SCREW	STEEL
P	1/4" X 2-3/4" PFH ELCO OR ITW CONCRETE SCREW	STEEL
1	JAMB (FINGER-JOINT PINE - SG >= 0.42)	WOOD
2	JAMB	FIBERGLASS/COMP
5	INSWING THRESHOLD ALUMINUM W/ COMPOSITE SUBSTRATE	ALUMINUM
6	DOOR BOTTOM SWEEP	PVC
8	#6 X 1-1/4 PFH DRYWALL SCREW	STEEL
9	#9 X 2-1/4" PFH SMS	STEEL
12	WEATHER STRIP QEBD650 Q-LON	-
18	3.983" X 4.0" HINGE MIN 0.098" THICK	STEEL
19	SILLKEY	PC/ASA
22	DEADBOLT STRIKE PLATE	STEEL
23	LATCH STRIKE PLATE	STEEL
24	#9 X 5/8" PFH WS	STEEL
25	OUTSWING HIGH-DAM THRESHOLD ALUMINUM W/ COMPOSITE SUBSTRATE	ALUM./ COMP.
26	#9 X 1.0" PFH WS	STEEL
27	OUTSWING THRESHOLD ALUMINUM W/ COMPOSITE SUBSTRATE	ALUM./ COMP.
40	DOOR PANEL - SEE DOOR PANEL DETAIL SHEET FOR CONSTRUCTION DETAILS	-
41	SIDELITE PANEL - SEE SIDELITE PANEL DETAIL SHEET FOR CONSTRUCTION DETAILS	-
42	SIDELITE PANEL - SEE SIDELITE PANEL DETAIL SHEET FOR CONSTRUCTION DETAILS	-
60	SIDELITE SPACER - OUTSWING	PVC
61	SIDELITE SPACER - INSWING	PVC
62	QUARTER ROUND	WOOD
63	#8 X 2-1/4" PFH WOOD SCREW	STEEL
64	#8 X 2" PFH WOOD SCREW	STEEL
67	INTEGRAL MULLION - FINGER JOINT PINE (SG >= 0.42)	WOOD
69	MULLION BASE KIT	PC/ASA



1 HEAD AND JAMBS  
Wood



2 HEAD AND JAMBS  
Composite PVC Base w/ Fiberglass Wrap



Documents Prepared By:  
Lyndon F. Schmidt  
P.E. No. 43409

**R.W.** BUILDING CONSULTANTS, INC.  
P.O. Box 230, Valrico, FL 33595  
Phone No.: 813.659.9197  
FBPE C.A. No. 9813

PRODUCT:	TRINITY GLASS INT'L
PART OR ASSEMBLY:	BILL OF MATERIALS & COMPONENTS
DATE:	2/27/12
SCALE:	N.T.S.
DWG. BY:	JK
CHK. BY:	LFS
DRAWING NO.:	FL-15255.14
SHEET	13 OF 13